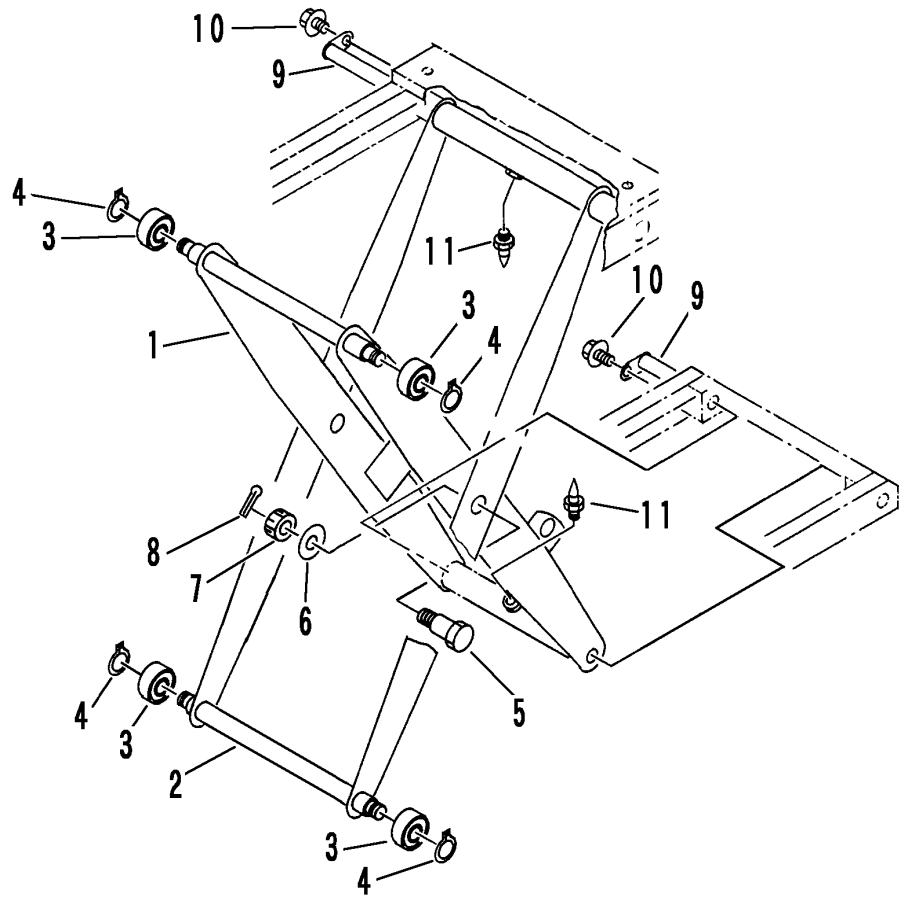


3549 480A クロスバークミタテ CROSS BAR EQUIPMENT



| 見出 NO. | 部品番号 PART NO. | 部品名称 | PART NAME | 個数 Q'ty | 型 寸 DESCRIPTION | 適用号機 FROM ~ UP TO SERIAL NO | 備 考 REMARKS |
|-----------|------------------|----------|---------------|------------|--------------------|--------------------------------|----------------|
| 1 | 3549 4801 000 | クロスバー | CROSS BAR | 1 | | | |
| 2 | 3549 4821 000 | クロスバー | CROSS BAR | 1 | | | |
| 3 | 0750 0562 034 | ベアリング | BEARING | 4 | 6203DDU | | |
| 4 | 0740 0001 700 | Cリング | RING,SNAP | 4 | S17 | | |
| 5 | 3538 4829 000 | ボルト | BOLT | 2 | | | |
| 6 | 0350 0171 240 | PW | WASHER,PLAIN | 2 | 12 x 40 x 4.5 | | |
| 7 | A310 0101 220 | キャップナット | NUT | 2 | M12 高形 | | |
| 8 | 0520 0132 025 | ワリピン | PIN,SPLIT | 2 | 3.2 x 25 | | |
| 9 | 3549 4833 000 | シャフト | SHAFT | 2 | | | |
| 10 | K710 0108 016 | Fボルト | BOLT | 2 | M8 x 16(7T) | | |
| 11 | A650 0100 600 | グリースニップル | NIPPLE,GREASE | 2 | M6 | | |
| | | | | | | | |
| | | | | | | | |
| | | | | | | | |
| | | | | | | | |
| | | | | | | | |
| | | | | | | | |
| | | | | | | | |
| | | | | | | | |
| | | | | | | | |
| | | | | | | | |
| | | | | | | | |
| | | | | | | | |
| | | | | | | | |
| | | | | | | | |
| | | | | | | | |
| | | | | | | | |
| | | | | | | | |
| | | | | | | | |
| | | | | | | | |
| | | | | | | | |
| | | | | | | | |
| | | | | | | | |
| | | | | | | | |
| | | | | | | | |
| | | | | | | | |
| | | | | | | | |
| | | | | | | | |
| | | | | | | | |