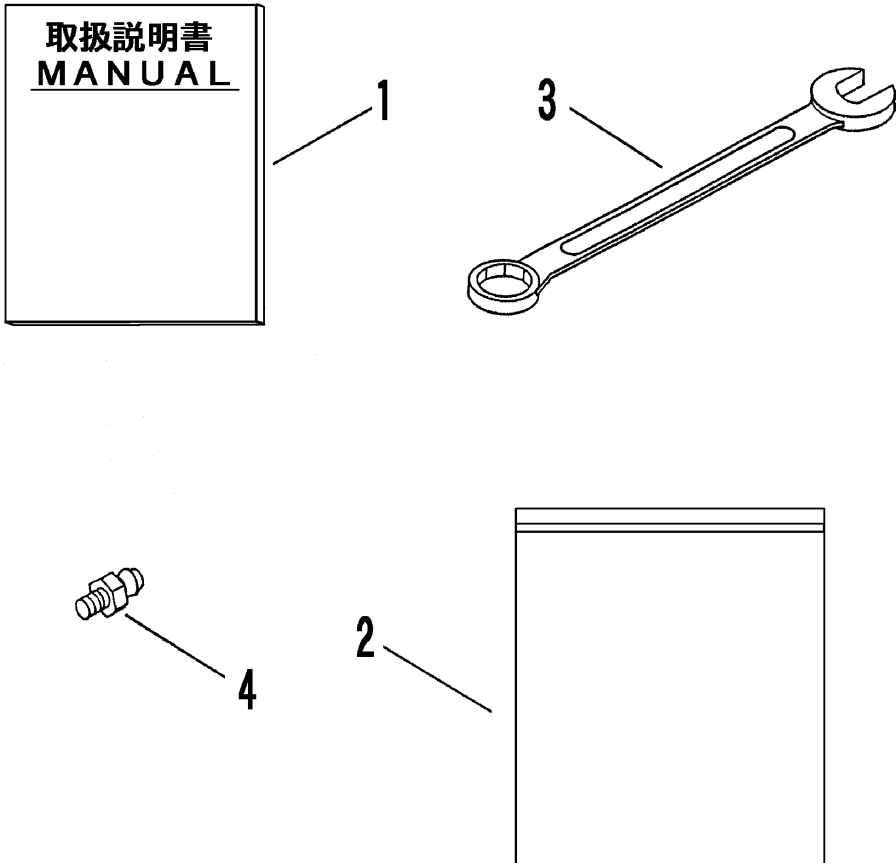


FIG 19 フゾクヒン ACCESSORIES



| 見出 NO. | 部品番号 PART NO. | 部品名称 PART NAME | 個数 Q'ty | 型 寸 DESCRIPTION | 適 用 号 機 FROM ~ UP TO SERIAL NO. | 備 考 REMARKS |
|-----------|------------------|-------------------|------------|--------------------|------------------------------------|----------------|
| 1 | 3646 5501 001 | トリアツカイセットメイショ | 1 | MANUAL | | |
| 2 | 3656 6502 000 | バッグ | 1 | BAG | | |
| 3 | 0993 0000 030 | スパナ 30 | 1 | WRENCH | | |
| 4 | A650 0100 600 | グリースニップル | 2 | NIPPLE,GREASE | | |
| | | | | | | |
| | | | | | | |
| | | | | | | |
| | | | | | | |
| | | | | | | |
| | | | | | | |
| | | | | | | |
| | | | | | | |
| | | | | | | |
| | | | | | | |
| | | | | | | |
| | | | | | | |
| | | | | | | |
| | | | | | | |
| | | | | | | |
| | | | | | | |
| | | | | | | |
| | | | | | | |
| | | | | | | |
| | | | | | | |
| | | | | | | |
| | | | | | | |
| | | | | | | |
| | | | | | | |
| | | | | | | |
| | | | | | | |
| | | | | | | |
| | | | | | | |
| | | | | | | |
| | | | | | | |
| | | | | | | |
| | | | | | | |
| | | | | | | |
| | | | | | | |
| | | | | | | |
| | | | | | | |