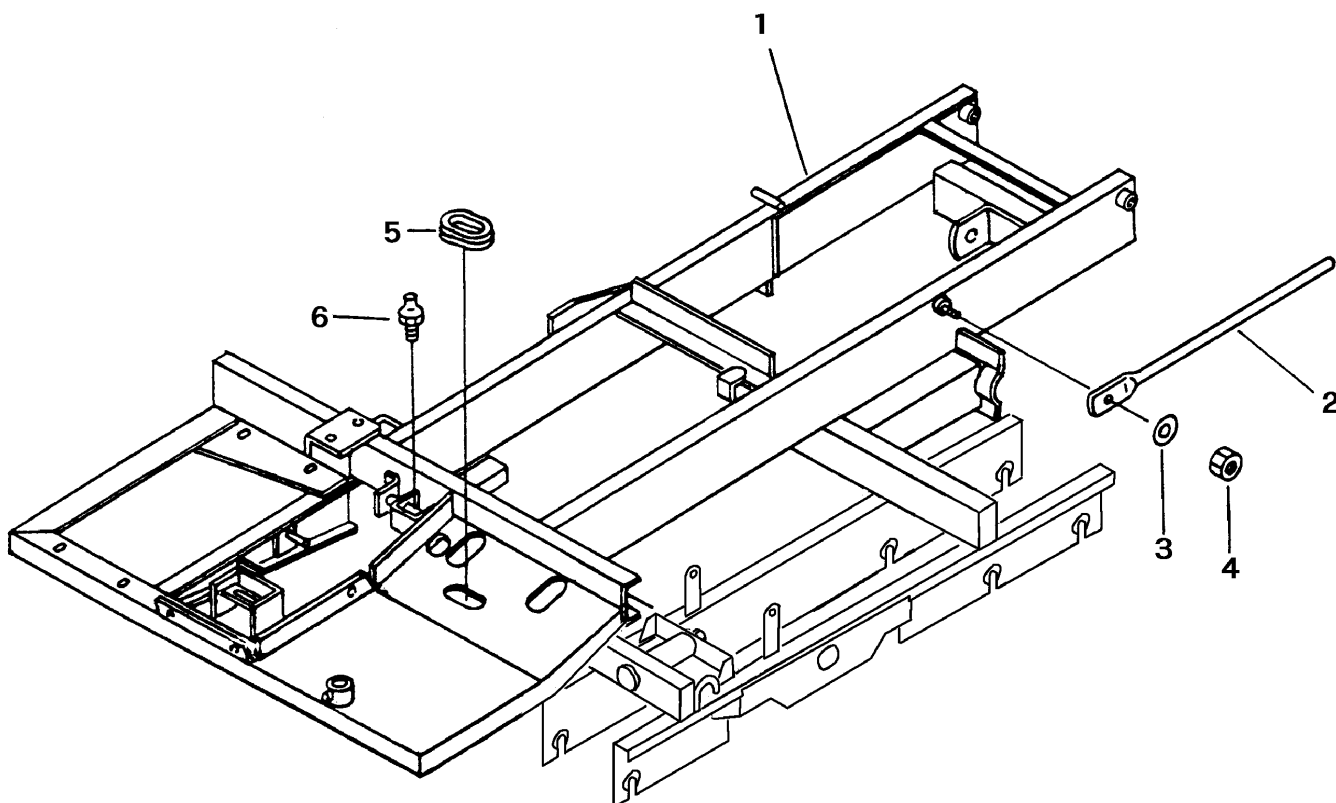


FIG 8 フレーム FRAME



|   |                  |
|---|------------------|
| A | 箱型・短尺荷台・ロビンクボタ   |
| B | 箱型・短尺荷台・ミツピシ     |
| C | 油圧ダンプロビンクボタ ミツピシ |

| 見出  | 部品番号          | 部品名称        | PART NAME | 個数Q'ty |   |   | 型 寸         | 適用号機                    | 備 考     |
|-----|---------------|-------------|-----------|--------|---|---|-------------|-------------------------|---------|
| NO. | PART NO.      |             |           | A      | B | C | DESCRIPTION | FROM ~ UP TO SERIAL NO. | REMARKS |
| 1   | 3656 1001 000 | フレーム        | FRAME     | 1      | 1 |   |             |                         | 部品供給不可  |
| 1   | 3656 1201 000 | フレーム        | FRAME     |        |   | 1 |             |                         | 部品供給不可  |
| 2   | 3607 1073 000 | ニダイラッカボウシボウ | BAR       |        |   | 1 |             |                         |         |
| 3   | 0350 0151 226 | PW          | WASHER    |        |   | 1 | 12×26×2.3   |                         |         |
| 4   | A351 0112 002 | Uナット        | U-NUT     |        |   | 1 | M12         |                         |         |
| 5   | 3611 1171 000 | ホゴゴム        | GROMMET   | 1      | 2 | 2 | P-2         |                         |         |
| 6   | A650 0100 600 | グリスニップル     | NIPPLE    | 2      | 2 | 2 | M6          |                         |         |
|     |               |             |           |        |   |   |             |                         |         |
|     |               |             |           |        |   |   |             |                         |         |
|     |               |             |           |        |   |   |             |                         |         |
|     |               |             |           |        |   |   |             |                         |         |
|     |               |             |           |        |   |   |             |                         |         |
|     |               |             |           |        |   |   |             |                         |         |
|     |               |             |           |        |   |   |             |                         |         |
|     |               |             |           |        |   |   |             |                         |         |
|     |               |             |           |        |   |   |             |                         |         |
|     |               |             |           |        |   |   |             |                         |         |
|     |               |             |           |        |   |   |             |                         |         |
|     |               |             |           |        |   |   |             |                         |         |
|     |               |             |           |        |   |   |             |                         |         |
|     |               |             |           |        |   |   |             |                         |         |
|     |               |             |           |        |   |   |             |                         |         |
|     |               |             |           |        |   |   |             |                         |         |
|     |               |             |           |        |   |   |             |                         |         |
|     |               |             |           |        |   |   |             |                         |         |
|     |               |             |           |        |   |   |             |                         |         |
|     |               |             |           |        |   |   |             |                         |         |
|     |               |             |           |        |   |   |             |                         |         |
|     |               |             |           |        |   |   |             |                         |         |
|     |               |             |           |        |   |   |             |                         |         |