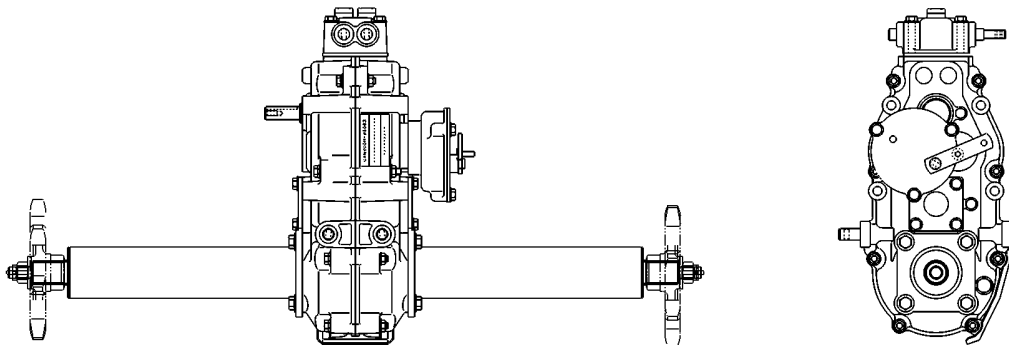


PARTS LIST

HS063V



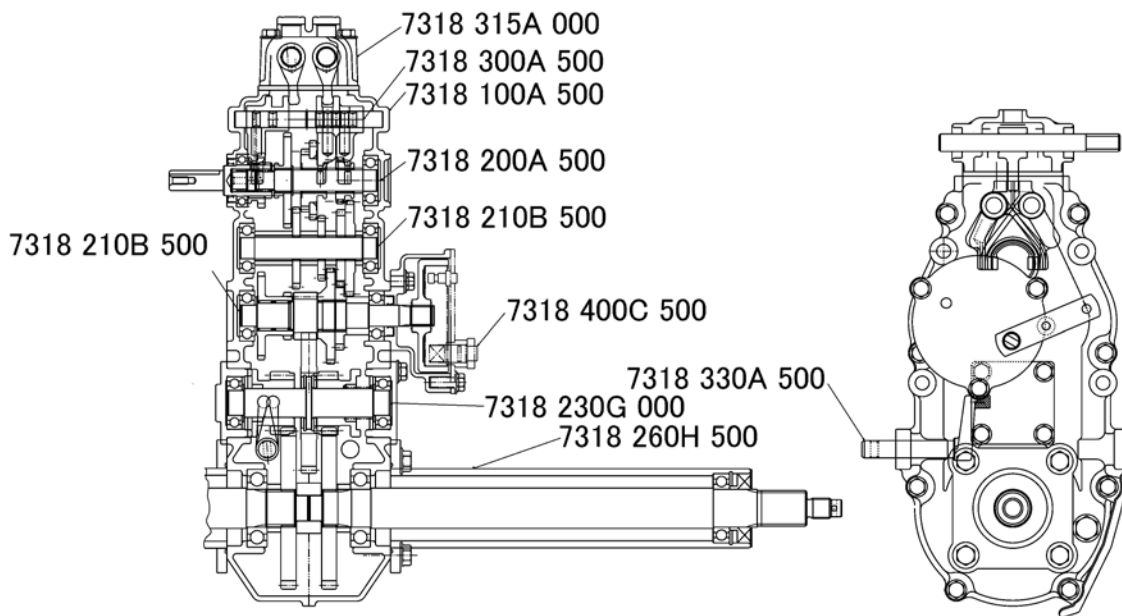
図示中RH LH は、車両進行方向に向かって右側をRH、左側をLHと表しています。

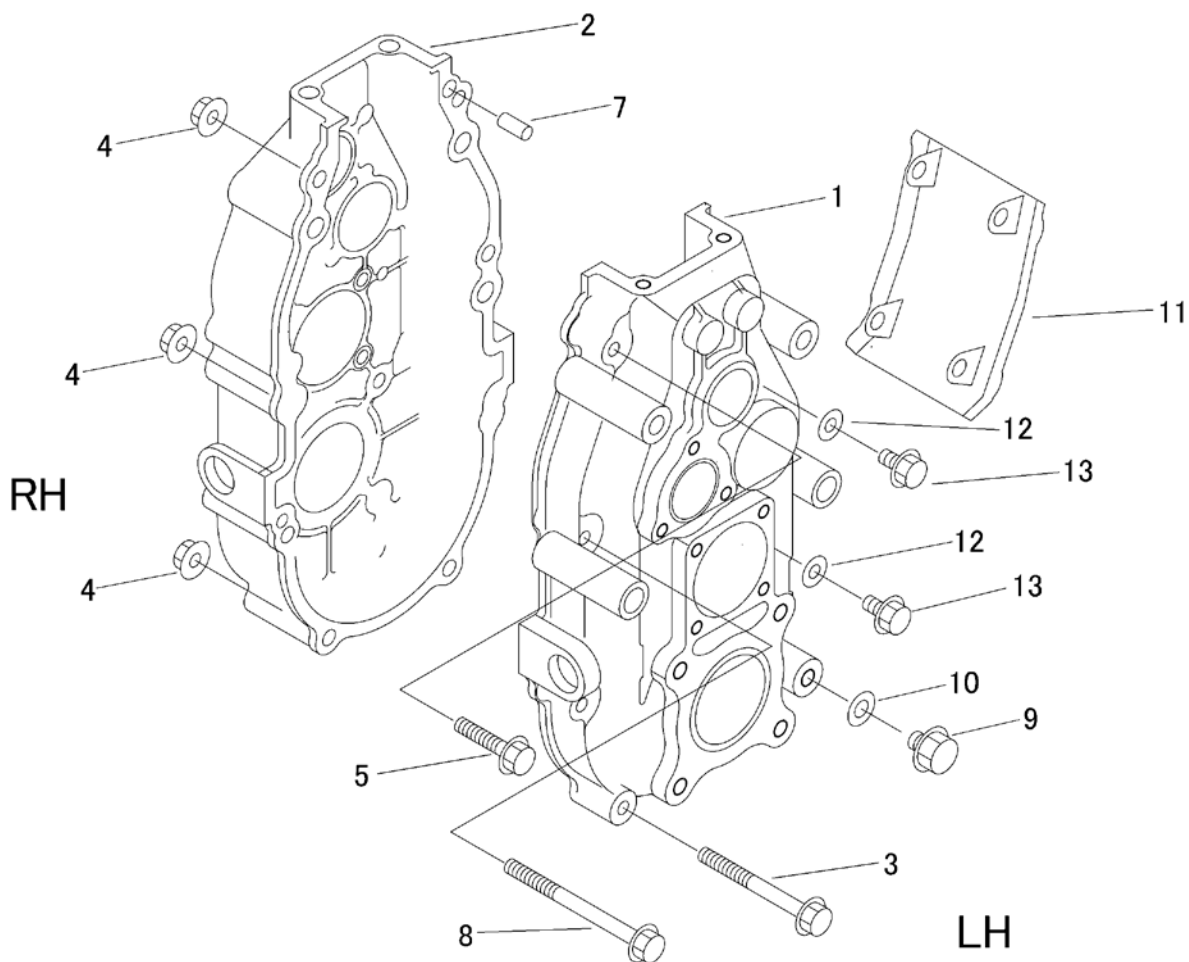


目 次

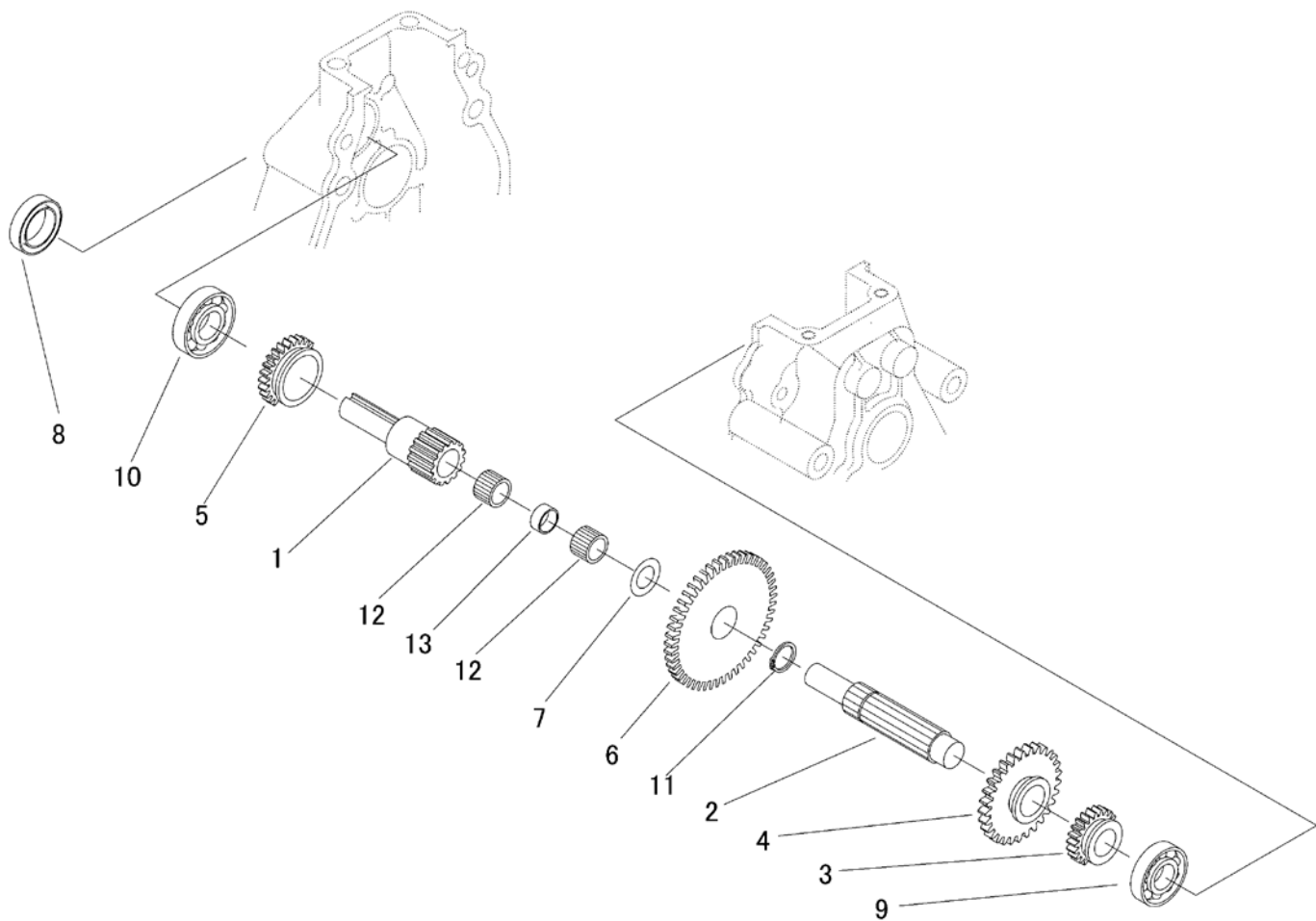
Table of Contents

| | | |
|---------------|--------------------------|----|
| 7318 100A 500 | ケーシング CASE | 1 |
| 7318 200A 500 | ダイイチジク FIRST SHAFT..... | 2 |
| 7318 210A 500 | バックシャフト BACK SHAFT..... | 3 |
| 7318 220A 500 | ダイ二ジク SECOND SHAFT..... | 4 |
| 7318 230G 000 | ダイ三ジク THIRD SHAFT | 5 |
| 7318 260H 500 | アクスル AXLE..... | 6 |
| 7318 300A 500 | シフト GEAR SHIFT..... | 7 |
| 7318 315A 500 | チェンジヘッド HEAD | 8 |
| 7318 330A 500 | サイドクラッチ SIDE CLUTCH..... | 9 |
| 7318 400C 500 | ブレーキ BRAKE | 10 |



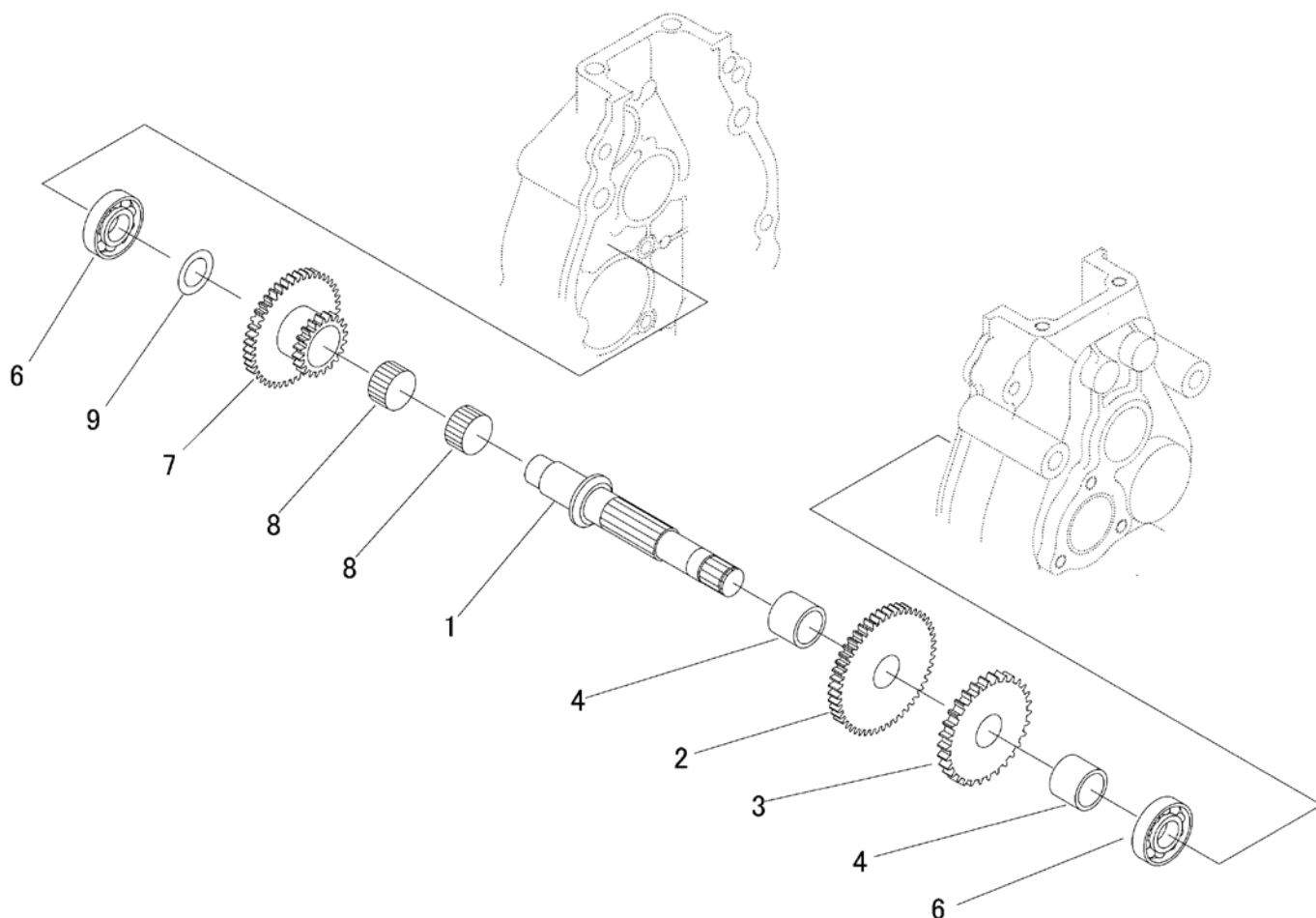


| 見出 NO. | 部品番号 PART NO. | 部品名称 PART NAME | 個数 Q'ty | 型 寸 DESCRIPTION | 互 換 性 R/P | 適用号機 FROM ~ UP TO SERIAL NO. | 備 考 REMARKS |
|-----------|------------------|-----------------------|------------|--------------------|--------------------|---------------------------------|----------------|
| 1 | 7318 1001 500 | ケース CASE | 1 | | | | |
| 2 | 7318 1004 500 | ケース CASE | 1 | | | | |
| 3 | K814 0108 080 | Fボルト BOLT | 4 | M8×80(8T) | | | |
| 4 | F301 0108 000 | Fナット NUT | 8 | M8 | | | |
| 5 | K814 0108 040 | Fボルト BOLT | 2 | M8×40(8T) | | | |
| 7 | 0541 1108 018 | ヘコウピン PIN PARALLEL | 2 | φ8×18 | | | |
| 8 | K814 0108 100 | Fボルト BOLT | 2 | M8×100(8T) | | | |
| 9 | K712 0110 012 | Fボルト BOLT | 1 | M10×12(7T) | | | |
| 10 | 0833 0001 000 | シールワッシャ WASHER | 1 | SW-10 | | | |
| 11 | 7318 1015 500 | ミッションガード GUARD | 1 | | | | |
| 12 | 0833 0000 800 | シールワッシャ WASHER | 2 | SW-8 | | | |
| 13 | K710 0108 012 | Fボルト BOLT | 2 | M8×12(7T) | | | |
| | | | | | | | |
| | | | | | | | |
| | | | | | | | |
| | | | | | | | |
| | | | | | | | |
| | | | | | | | |
| | | | | | | | |
| | | | | | | | |
| | | | | | | | |
| | | | | | | | |
| | | | | | | | |
| | | | | | | | |
| | | | | | | | |
| | | | | | | | |



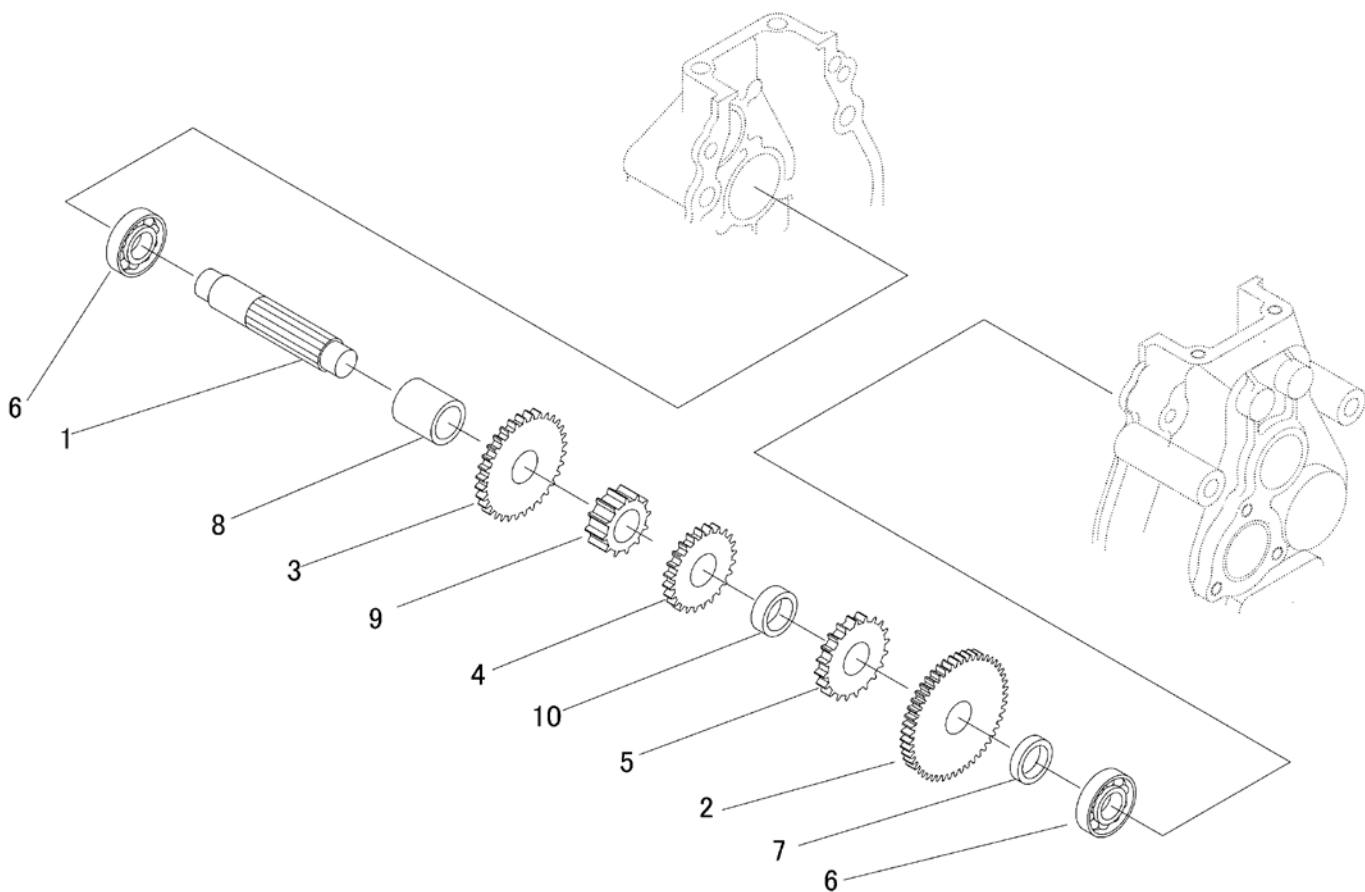
| 見出 | 部品番号 | 部品名称 | | 個数 | 型 寸 | 互換性 | 適用号機 | 備考 |
|-----|---------------|-----------|------|-------------|-----------|-------------------------|---------|----|
| NO. | PART NO. | PART NAME | Q'ty | DESCRIPTION | R/P | FROM ~ UP TO SERIAL NO. | REMARKS | |
| 1 | 7318 2001 500 | シャフト | 1 | SHAFT | | | | |
| 2 | 7318 2002 500 | シャフト | 1 | SHAFT | | | | |
| 3 | 7318 2004 500 | ギヤ22 | 1 | GEAR 22 | | | | |
| 4 | 7318 2005 500 | ギヤ23-29 | 1 | GEAR23-29 | | | | |
| 5 | 7318 2008 500 | ギヤ26 | 1 | GEAR26 | | | | |
| 6 | 7318 2011 500 | ギヤ49 | 1 | GEAR49 | | | | |
| 7 | 7318 2009 500 | シムB | 1 | SHIM | | | | |
| 8 | 0840 1024 358 | オイルシール | 1 | SEALOIL | UE24×35×8 | | | |
| 9 | 0750 0062 030 | ベアリング | 1 | BEARING | 6203 | | | |
| 10 | 0750 0069 050 | ベアリング | 1 | BEARING | 6905 | | | |
| 11 | 0740 0002 000 | Cリング | 1 | RING | S20 | | | |
| 12 | 0780 2141 813 | ニードルベアリング | 2 | BEARING | | | | |
| 13 | 7318 2014 500 | パイプ | 1 | PIPE | | | | |
| | | | | | | | | |
| | | | | | | | | |
| | | | | | | | | |
| | | | | | | | | |
| | | | | | | | | |
| | | | | | | | | |
| | | | | | | | | |
| | | | | | | | | |
| | | | | | | | | |
| | | | | | | | | |
| | | | | | | | | |
| | | | | | | | | |
| | | | | | | | | |
| | | | | | | | | |
| | | | | | | | | |
| | | | | | | | | |
| | | | | | | | | |
| | | | | | | | | |

7318 210A 500 バックシャフト BACK SHAFT



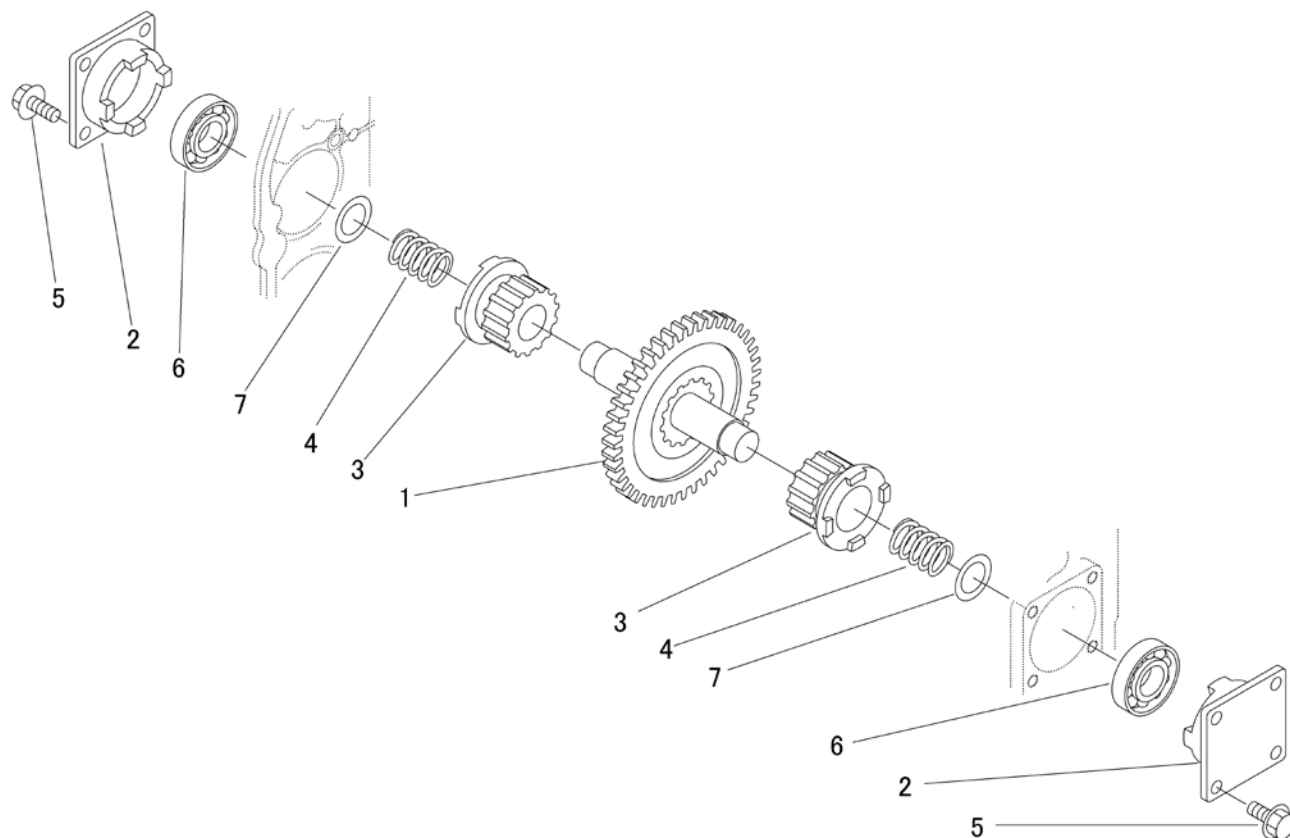
| 見出 | 部品番号 | 部品名称 | | 個数 | 型 寸 | 互 換 性 | 適 用 号 機 | 備 考 |
|-----|---------------|-----------|------|-------------|----------|-------------------------|---------|-----|
| NO. | PART NO. | PART NAME | Q'ty | DESCRIPTION | R/P | FROM ~ UP TO SERIAL NO. | REMARKS | |
| 1 | 7318 2101 500 | シャフト | 1 | SHAFT | | | | |
| 2 | 7318 2104 500 | ギヤ49 | 1 | GEAR49 | | | | |
| 3 | 7318 2106 500 | ギヤ30 | 1 | GEAR30 | | | | |
| 4 | 7318 2113 500 | パイプ | 2 | PIPE | | | | |
| 6 | 0750 0062 030 | ベアリング | 2 | BEARING | 6203 | | | |
| 7 | 7318 2115 500 | ギヤ22-45 | 1 | GEAR22-45 | | | | |
| 8 | 0780 2202 413 | ベアリング | 2 | BEARING | 20X24X13 | | | |
| 9 | 7318 2116 500 | シムB | 1 | SHIM | | | | |
| | | | | | | | | |
| | | | | | | | | |
| | | | | | | | | |
| | | | | | | | | |
| | | | | | | | | |
| | | | | | | | | |
| | | | | | | | | |
| | | | | | | | | |
| | | | | | | | | |
| | | | | | | | | |
| | | | | | | | | |
| | | | | | | | | |
| | | | | | | | | |
| | | | | | | | | |
| | | | | | | | | |
| | | | | | | | | |
| | | | | | | | | |
| | | | | | | | | |

7318 220A 500 ダイ2ジク SECOND SHAFT

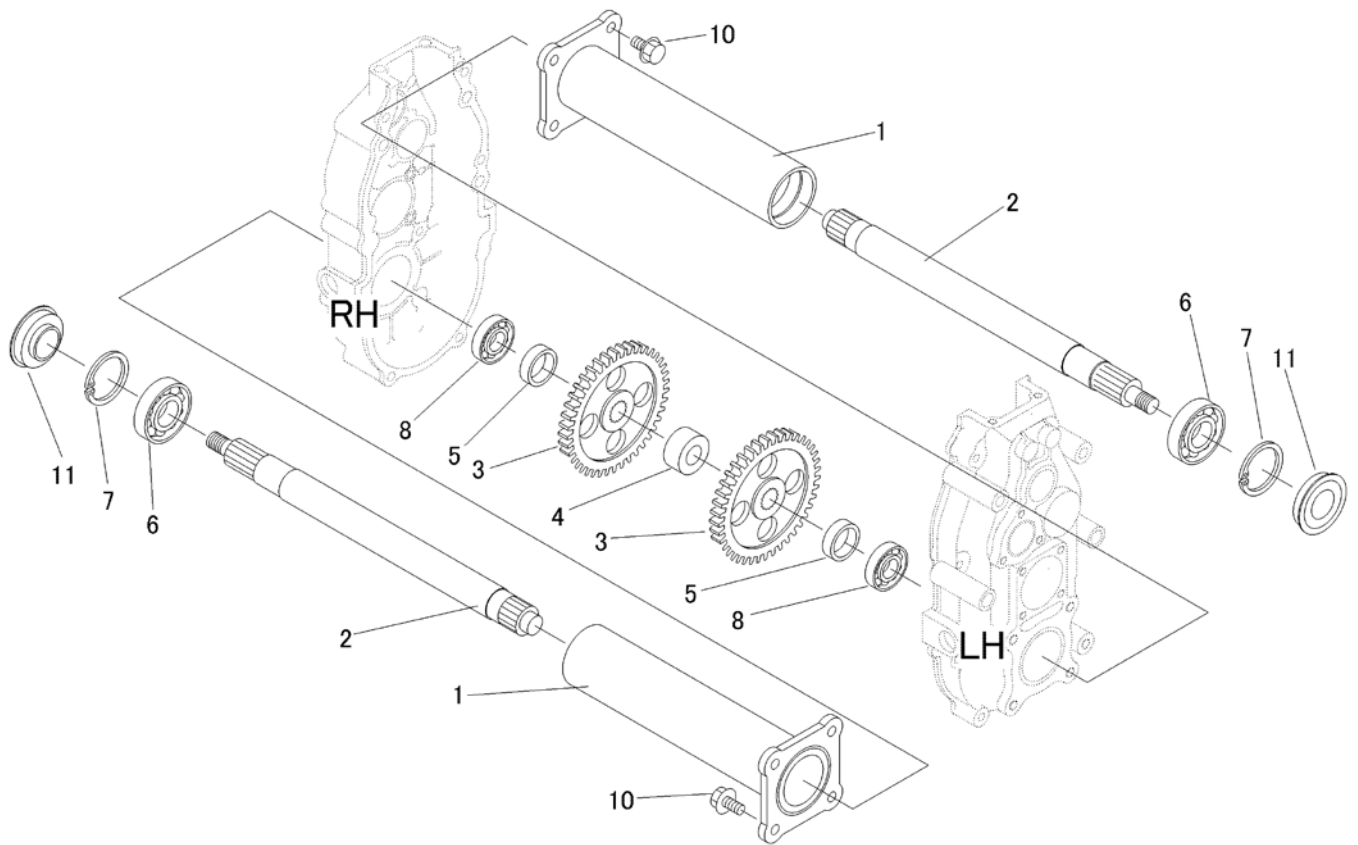


| 見出 | 部品番号 | 部品名称 | | 個数 | 型 寸 | 互換性 | 適用号機 | 備 考 |
|-----|---------------|-------|-----------|------|-------------|-----|-------------------------|---------|
| NO. | PART NO. | | PART NAME | Q'ty | DESCRIPTION | R/P | FROM ~ UP TO SERIAL NO. | REMARKS |
| 1 | 7318 2201 500 | シャフト | SHAFT | 1 | | | | |
| 2 | 7318 2104 500 | ギヤ49 | GEAR49 | 1 | | | | |
| 3 | 7318 2207 500 | ギヤ31 | GEAR31 | 1 | | | | |
| 4 | 7318 2204 500 | ギヤ24 | GEAR24 | 1 | | | | |
| 5 | 7318 2205 500 | ギヤ23 | GEAR23 | 1 | | | | |
| 6 | 0750 0062 030 | ベアリング | BEARING | 2 | 6203 | | | |
| 7 | 7318 2111 500 | パイプ | PIPE | 1 | | | | |
| 8 | 7318 2112 500 | パイプ | PIPE | 1 | | | | |
| 9 | 7318 2206 500 | ギヤ12 | GEAR12 | 1 | | | | |
| 10 | 7318 2114 500 | パイプ | PIPE | 1 | | | | |
| | | | | | | | | |
| | | | | | | | | |
| | | | | | | | | |
| | | | | | | | | |
| | | | | | | | | |
| | | | | | | | | |
| | | | | | | | | |
| | | | | | | | | |
| | | | | | | | | |
| | | | | | | | | |
| | | | | | | | | |
| | | | | | | | | |
| | | | | | | | | |
| | | | | | | | | |
| | | | | | | | | |
| | | | | | | | | |
| | | | | | | | | |
| | | | | | | | | |

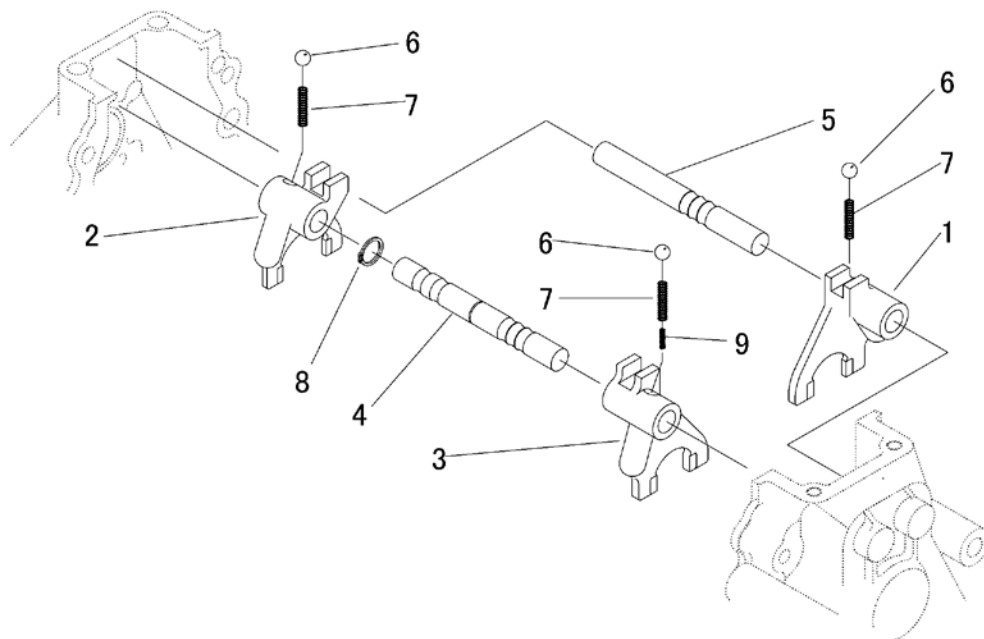
7318 230G 500 ダイ3ジク THIRD SHAFT



| 見出 | 部品番号 | 部品名称 | | 個数 | 型 寸 | 互換性 | 適用号機 | 備 考 |
|-----|---------------|-----------|---------------|------|-------------|-----|-------------------------|---------|
| NO. | PART NO. | | PART NAME | Q'ty | DESCRIPTION | R/P | FROM ~ UP TO SERIAL NO. | REMARKS |
| 1 | 7318 2301 500 | センタークラッチ | CENTER CLUTCH | 1 | | | | |
| 2 | 7318 2315 000 | サイドクラッチツメ | BRAKE | 2 | | | | 4ツ爪 |
| 3 | 7318 2316 000 | サイドクラッチギヤ | GEAR14 | 2 | | | | 4ツ爪 |
| 4 | 7318 2306 500 | スプリング | SPRING | 2 | | | | |
| 5 | K710 0108 020 | Fボルト | BOLT | 8 | M8 × 20(7T) | | | |
| 6 | 0750 0060 040 | ベアリング | BEARING | 2 | 6004 | | | |
| 7 | 7318 2307 500 | シムB | SHIM | 2 | | | | |
| | | | | | | | | |
| | | | | | | | | |
| | | | | | | | | |
| | | | | | | | | |
| | | | | | | | | |
| | | | | | | | | |
| | | | | | | | | |
| | | | | | | | | |
| | | | | | | | | |
| | | | | | | | | |
| | | | | | | | | |
| | | | | | | | | |
| | | | | | | | | |
| | | | | | | | | |
| | | | | | | | | |
| | | | | | | | | |
| | | | | | | | | |
| | | | | | | | | |
| | | | | | | | | |

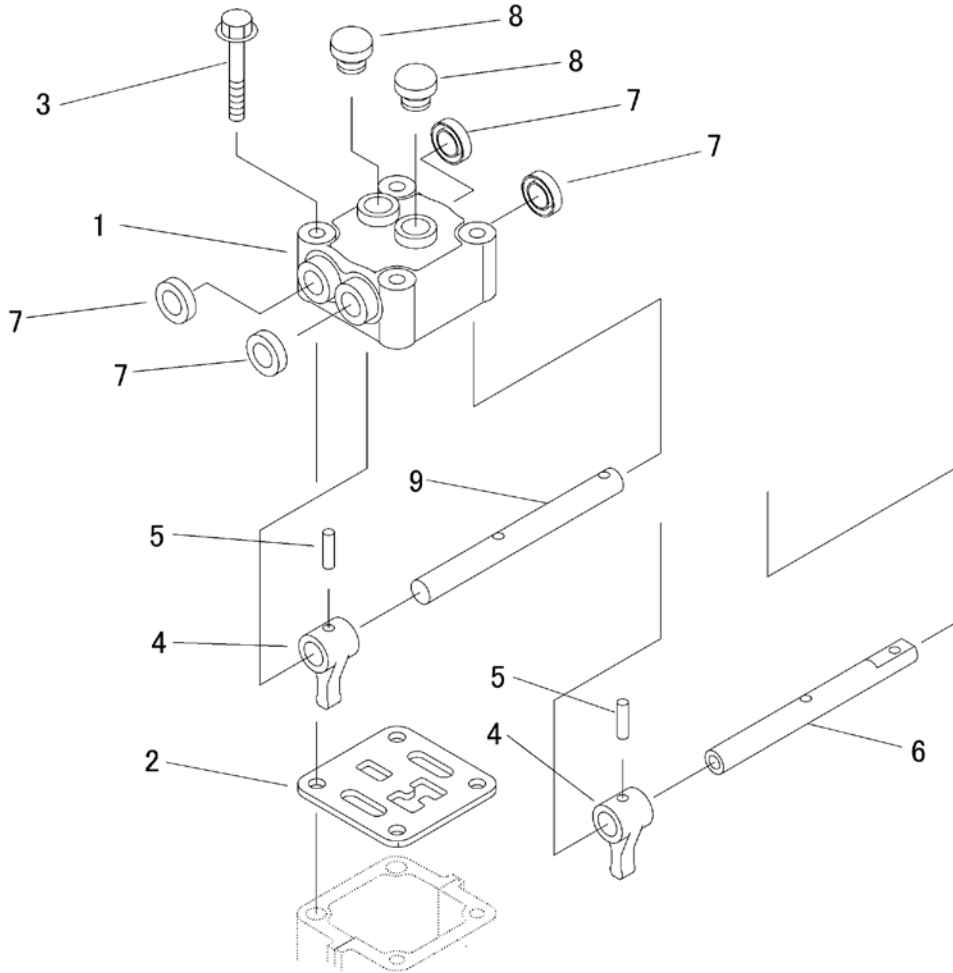


| 見出 | 部品番号 | 部品名称 | | 個数 | 型 寸 | 互 換 性 | 適用号機 | 備 考 |
|-----|---------------|-----------|---------|-------------|------------|-------------------------|---------|-------|
| NO. | PART NO. | PART NAME | Q'ty | DESCRIPTION | R/P | FROM ~ UP TO SERIAL NO. | REMARKS | |
| 1 | 7318 2619 500 | アクスルパイプ | PIPE | 2 | | | | L=287 |
| 2 | 7318 2619 900 | シャフト | SHAFT | 2 | | | | L=426 |
| 3 | 7318 2405 500 | ギヤ41 | GEAR41 | 2 | | | | |
| 4 | 7318 2406 500 | カラー | SPACER | 1 | | | | |
| 5 | 7318 2407 500 | パイプ | PIPE | 2 | | | | |
| 6 | 0750 0060 060 | ベアリング | BEARING | 2 | 6006 | | | |
| 7 | 0741 0005 500 | Cリング | RING | 2 | H20 | | | |
| 8 | 0750 0062 060 | ベアリング | BEARING | 2 | 6206 | | | |
| 10 | K712 0110 025 | Fボルト | BOLT | 8 | M10×25(7T) | | | |
| 11 | 7306 2408 000 | オイルシール | SEAL | 2 | | | | |
| | | | | | | | | |
| | | | | | | | | |
| | | | | | | | | |
| | | | | | | | | |
| | | | | | | | | |
| | | | | | | | | |
| | | | | | | | | |
| | | | | | | | | |

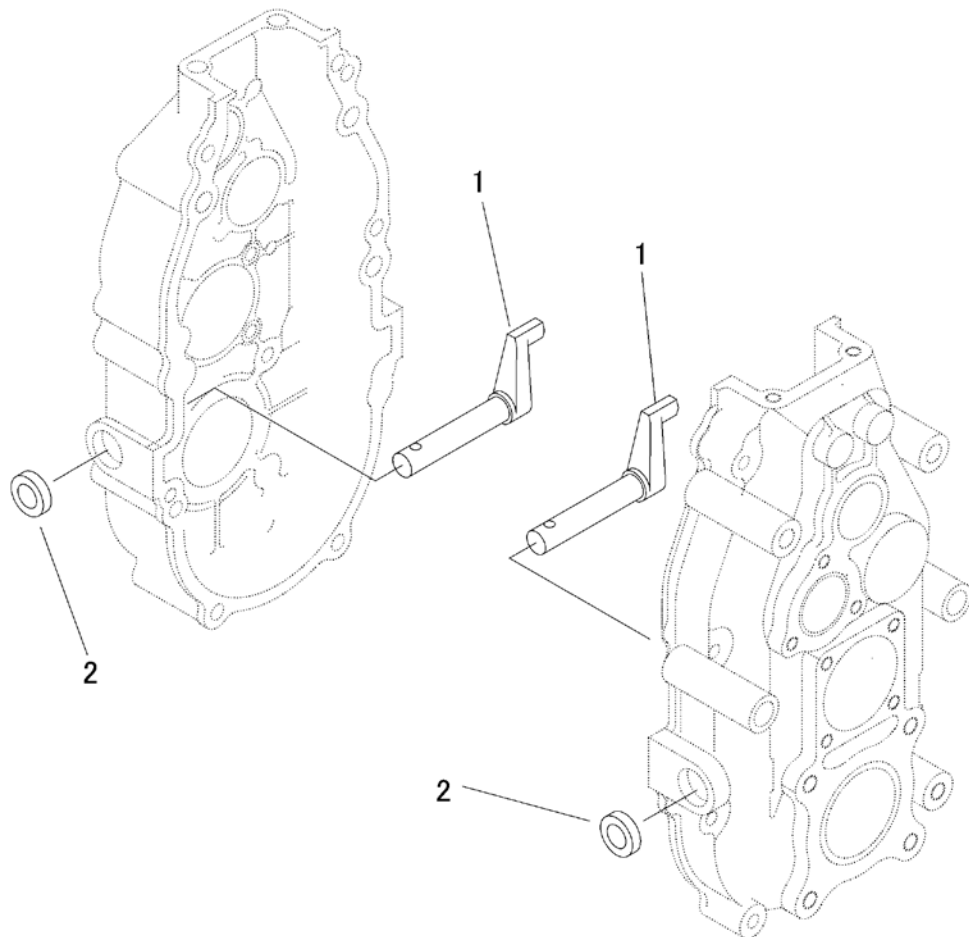


| 見出 | 部品番号 | 部品名称 | | 個数 | 型 寸 | 互 | 適 用 号 機 | 備 考 |
|-----|---------------|-----------|--------|-------------|--------|-------------------------|---------|-----|
| NO. | PART NO. | PART NAME | Q'ty | DESCRIPTION | R/P | FROM ~ UP TO SERIAL NO. | REMARKS | |
| 1 | 7318 3001 500 | シフトフォークA | FORK | 1 | | | 1 - R | |
| 2 | 7318 3002 500 | シフトフォークB | FORK | 1 | | | H - L | |
| 3 | 7318 3003 500 | シフトフォークC | FORK | 1 | | | 2 - 3 | |
| 4 | 7318 3005 500 | シフトシャフト | SHAFT | 1 | | | | |
| 5 | 7318 3006 500 | シフトシャフト | SHAFT | 1 | | | | |
| 6 | 0800 0000 800 | ボール | BALL | 3 | (5/16) | | | |
| 7 | 7318 3008 500 | スプリング | SPRING | 3 | | | | |
| 8 | 0740 0001 300 | Cリング | RING | 1 | S13 | | | |
| 9 | 7318 3009 500 | スプリング | SPRING | 1 | | | | |
| | | | | | | | | |
| | | | | | | | | |
| | | | | | | | | |
| | | | | | | | | |
| | | | | | | | | |
| | | | | | | | | |
| | | | | | | | | |
| | | | | | | | | |
| | | | | | | | | |
| | | | | | | | | |
| | | | | | | | | |
| | | | | | | | | |
| | | | | | | | | |
| | | | | | | | | |
| | | | | | | | | |
| | | | | | | | | |
| | | | | | | | | |
| | | | | | | | | |

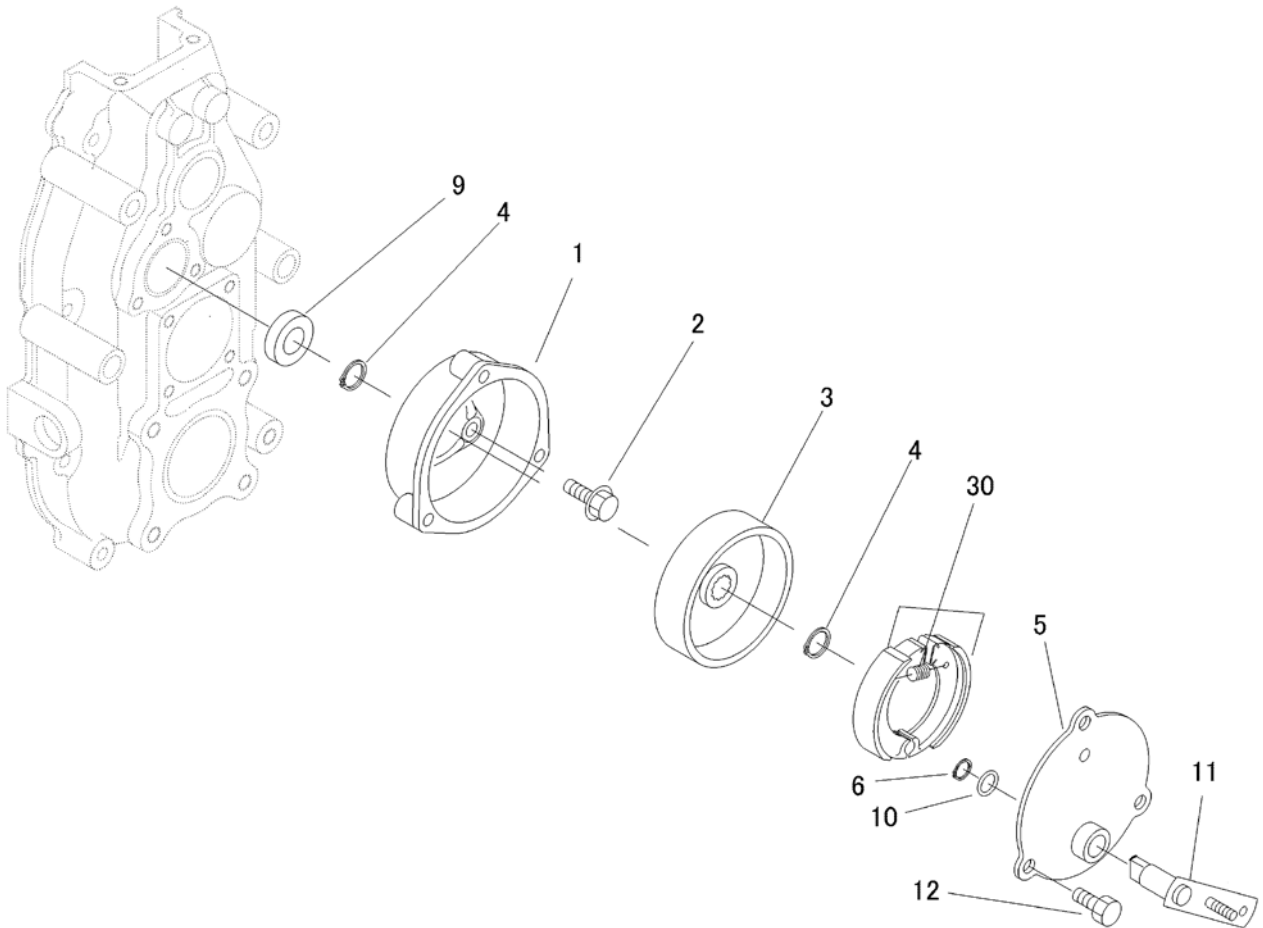
7318 315A 500 チェンジヘッド HEAD



| 見出 | 部品番号 | 部品名称 | | 個数 | 型 寸 | 互換性 | 適用号機 | 備 考 |
|-----|---------------|-----------|------|-------------|---------------|-------------------------|---------|-----|
| NO. | PART NO. | PART NAME | Q'ty | DESCRIPTION | R/P | FROM ~ UP TO SERIAL NO. | REMARKS | |
| 1 | 7318 3101 500 | チェンジヘッド | 1 | HEAD | | | | |
| 2 | 7318 3108 500 | プレート | 1 | PLATE | | | | |
| 3 | K710 0108 055 | Fボルト | 4 | BOLT | M8 × 55 (7T) | | | |
| 4 | 7318 3104 500 | シフター | 2 | SHIFTER | | | | |
| 5 | 0550 0006 022 | スプリングピン | 2 | PIN SPRING | 6 × 22 | | | |
| 6 | 7318 3155 500 | チェンジシャフト | 1 | SHAFT | | | | |
| 7 | 0840 1014 246 | オイルシール | 4 | SEAL OIL | UE14 × 24 × 6 | | | |
| 8 | 7953 1004 000 | オイルキャップ | 2 | GAP | | | | |
| 9 | 7318 3157 500 | チェンジシャフト | 1 | SHAFT | | | | |
| | | | | | | | | |
| | | | | | | | | |
| | | | | | | | | |
| | | | | | | | | |
| | | | | | | | | |
| | | | | | | | | |
| | | | | | | | | |
| | | | | | | | | |
| | | | | | | | | |
| | | | | | | | | |
| | | | | | | | | |
| | | | | | | | | |
| | | | | | | | | |
| | | | | | | | | |
| | | | | | | | | |
| | | | | | | | | |
| | | | | | | | | |
| | | | | | | | | |



| 見出 | 部品番号 | 部品名称 | | 個数 | 型 寸 | 互換性 | 適用号機 | 備考 |
|-----|---------------|-----------|----------|------|---------------|-----|-------------------------|---------|
| NO. | PART NO. | PART NAME | | Q'ty | DESCRIPTION | R/P | FROM ~ UP TO SERIAL NO. | REMARKS |
| 1 | 7318 3301 500 | シフター | SHIFTER | 2 | | | | |
| 2 | 0840 1014 246 | オイルシール | SEAL OIL | 2 | UE14 × 24 × 6 | | | |
| | | | | | | | | |
| | | | | | | | | |
| | | | | | | | | |
| | | | | | | | | |
| | | | | | | | | |
| | | | | | | | | |
| | | | | | | | | |
| | | | | | | | | |
| | | | | | | | | |
| | | | | | | | | |
| | | | | | | | | |
| | | | | | | | | |
| | | | | | | | | |
| | | | | | | | | |
| | | | | | | | | |
| | | | | | | | | |
| | | | | | | | | |
| | | | | | | | | |
| | | | | | | | | |



| 見出 | 部品番号 | 部品名称 | | 個数 | 型 寸 | 互換性 | 適用号機 | 備 考 |
|-----|---------------|------------|----------|------|---------------|-----|-------------------------|---------|
| NO. | PART NO. | PART NAME | | Q'ty | DESCRIPTION | R/P | FROM ~ UP TO SERIAL NO. | REMARKS |
| 1 | 7318 4001 500 | ブラケット | BRACKET | 1 | | | | |
| 2 | K710 0108 025 | Fボルト | BOLT | 3 | M8 × 25(7T) | | | |
| 3 | 7318 4005 500 | ブレーキドラム | DRUM | 1 | | | | |
| 4 | 0740 0001 600 | Cリング | RING | 2 | S16 | | | |
| 5 | 7318 4009 500 | パッキングプレート | PLATE | 1 | | | | |
| 6 | 7318 4031 500 | マルSリング | RING | 1 | | | | |
| | | | | | | | | |
| 9 | 0840 1017 328 | オイルシール | SEAL OIL | 1 | UE17 × 32 × 8 | | | |
| 10 | 0830 0500 120 | Oリング | O RING | 1 | S12(1種A) | | | |
| 11 | 7318 4032 000 | ブレーキレバー | LEVER | 1 | | | | |
| 12 | A110 0108 020 | ボルト | BOLT | 3 | M8 × 20 | | | |
| 30 | 7306 9901 000 | ブレーキシューセット | SHOE set | 1 | | | | |
| | | | | | | | | |
| | | | | | | | | |
| | | | | | | | | |
| | | | | | | | | |
| | | | | | | | | |
| | | | | | | | | |
| | | | | | | | | |
| | | | | | | | | |
| | | | | | | | | |
| | | | | | | | | |
| | | | | | | | | |