

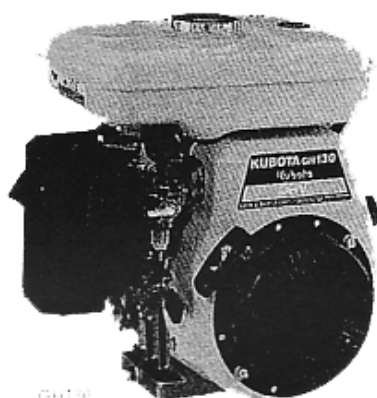
# ILLUSTRATED PARTS LIST

# KUBOTA

MODEL GH130-GCL-Y2-CHI-EC

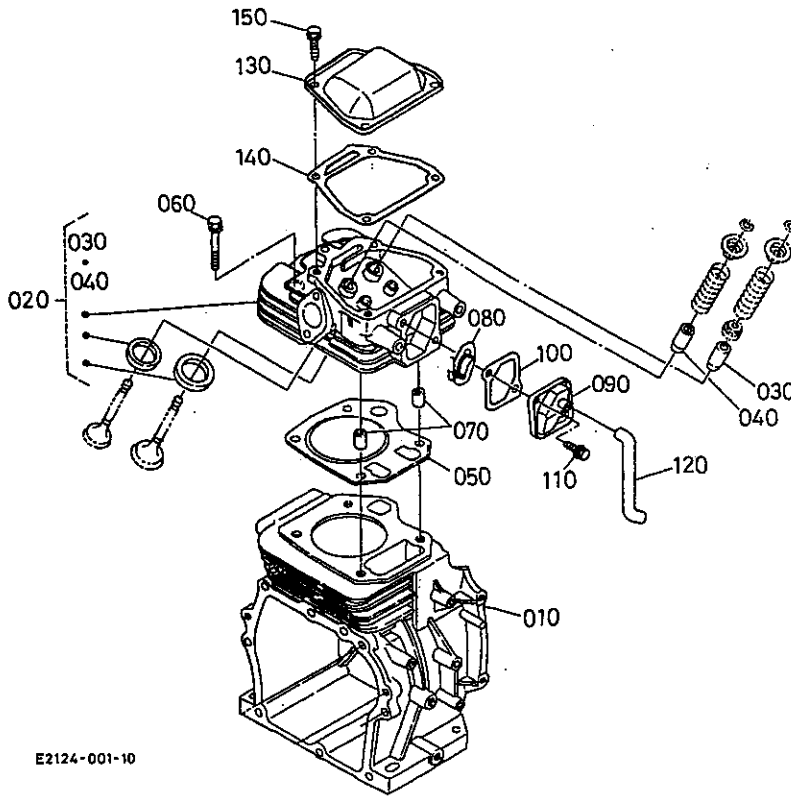
# AIR-COOLED ENGINE

ご注文の際は部品番号の前にZKをご記入下さい。



**Kubota**

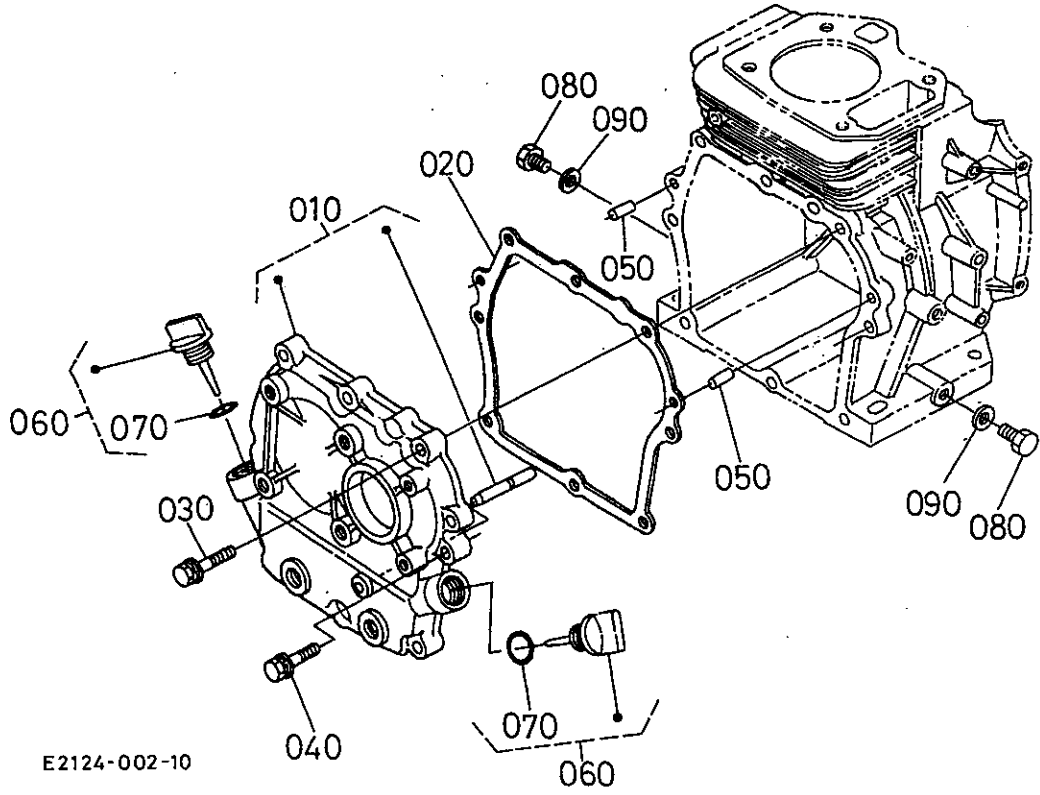
07909-15556  
JAN. 1998



E2124-001-10

A:GH130-GCL-Y2-CHI-EC

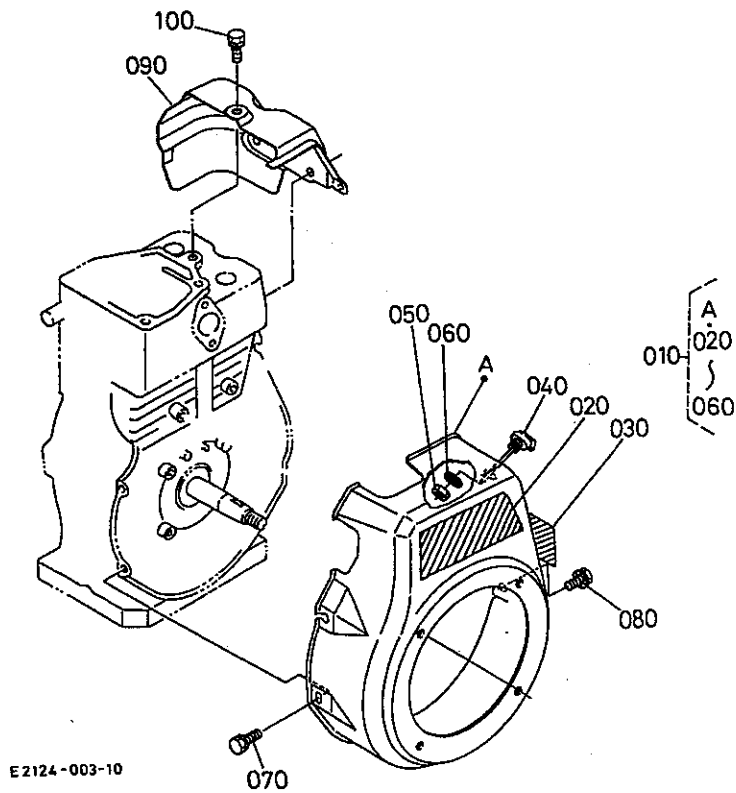
REF.No.	PART No.	PART NAME	Q' TY/S. No.	I. C.	REMARKS
			A		
010	E2111-0211-2	BLOCK, CYLINDER	1		
020	E2111-0304-4	COMP. CYLINDER HEAD	1		
030	E2111-1354-0	GUIDE, VALVE, INTAKE	1		
040	12631-1358-0	GUIDE, VALVE	1		
050	E2111-0331-0	GASKET, HEAD	1		
060	12631-0345-0	BOLT, CYLINDER HEAD	4		
070	12631-9493-0	PIN, PIPE	2		
080	12643-0501-0	COMP. BREATHER	1		
090	12643-0541-0	COVER, BREATHER	1		
100	12643-0543-0	GASKET, BREATHER C.	1		
110	13921-9104-0	BOLT	2		
120	12641-0551-2	TUBE, BREATHER	1		
130	12643-1451-0	COVER, CYL. HEAD	1		
140	12643-1452-0	GASKET, HEAD COVER	1		
150	01202-50614	BOLT	4		



E2124-002-10

A: GH130-GCL-Y2-CHI-EC

REF.No.	PART No.	PART NAME	Q' TY/S. No.	I. C.	REMARKS
			A		
010	E2111-0105-0	ASSY COVER, CRANKCASE	1		
020	E2111-0134-0	GASKET (CRANK)	1		
030	13901-9101-0	BOLT	7		
040	13621-9121-0	BOLT	1		
050	05012-00614	PIN, STRAIGHT	2		
060	13901-3308-2	ASSY GAUGE, OIL	2		
070	04811-00160	O RING	2		
080	13901-3375-0	PLUG, DRAIN	2		
090	04724-00120	GASKET	2		

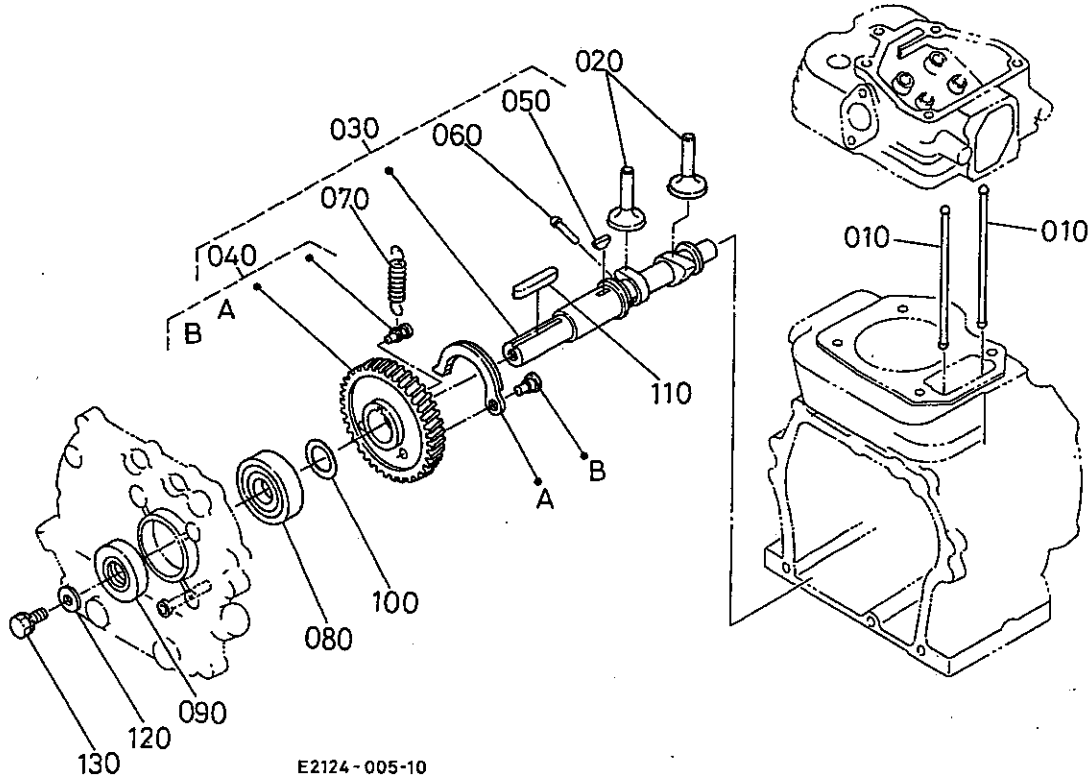


A:GH130-GCL-Y2-CHI-EC

REF.No.	PART No.	PART NAME	Q' TY/S. No.	I. C.	REMARKS
010	E2121-7484-0	ASSY COVER, FAN	A 1		
020	12632-8716-0	MARK, OHV	1		
030	E2121-8712-0	NAME PLATE	1		
040	E3131-6708-0	ASSY SWITCH, STOP	1		
050	02112-50080	NUT	1		
060	04411-50080	WASHER, TOOTHED	1		
070	13641-7452-0	BOLT	3		
080	E2111-9385-0	BOLT, FLANGE	1		
090	E2111-7448-0	COVER, CYLINDER HEAD	1		
100	13921-9104-0	BOLT	2		

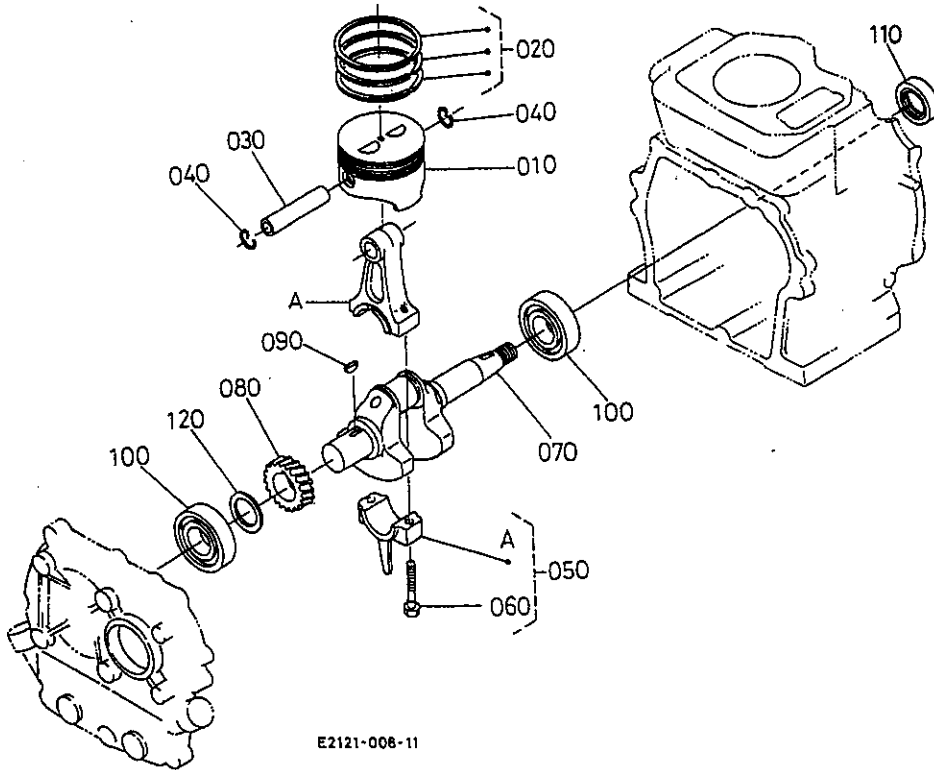
# 0100 CAMSHAFT (D - G TYPE)

**B02-R**



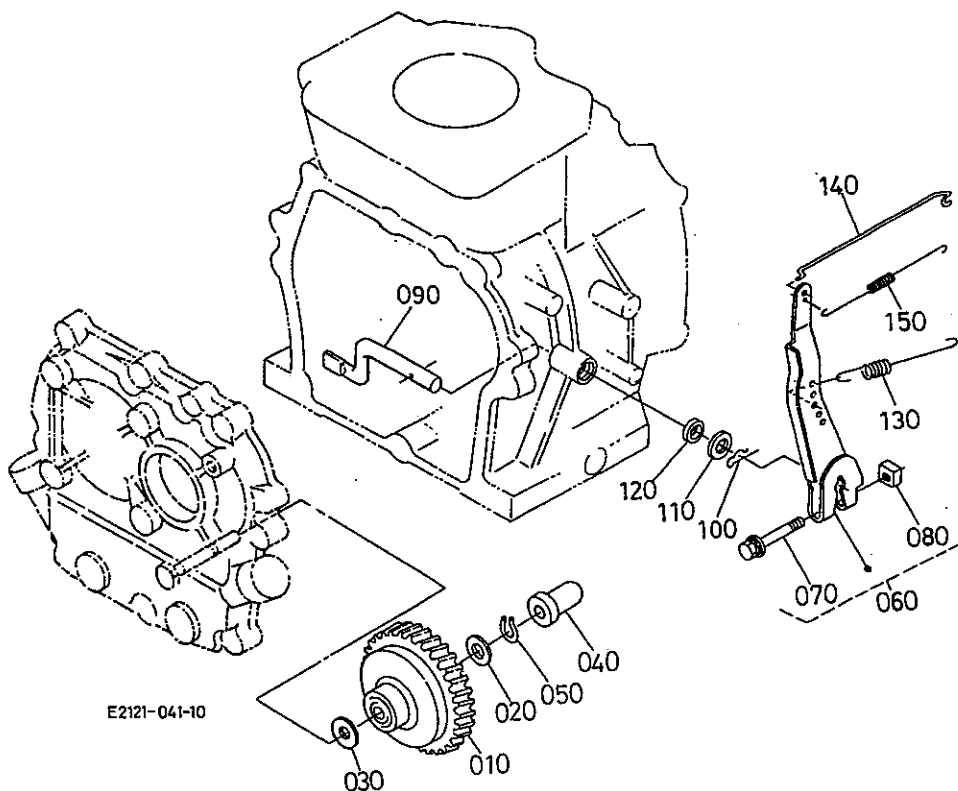
A: GH130-GCL-Y2-CHI-EC

REF.No.	PART No.	PART NAME	Q' TY/S. No.	I. C.	REMARKS
010	12643-1511-0	PUSH ROD	A 2		
020	12643-1555-0	TAPPET	2		
030	12643-1601-9	ASSY CAMSHAFT	1		
040	12643-1650-0	COMP GEAR, CAMSHAFT	1		
050	12643-9523-0	KEY, WOODRUFF	1		
060	12643-6627-0	PIN, DECOMP	1		
070	12653-6628-0	SPRING, DECOMP	1		
080	08103-06204	BEARING, BALL	1		
090	09500-00026	SEAL, OIL	1		
100	13621-1672-0	SHIM, CAMSHAFT	1		0.20MM
100	13621-1663-0	SHIM, CAMSHAFT	1		0.25MM
100	13621-1664-0	SHIM, CAMSHAFT	1		0.30MM
100	13621-1662-0	SHIM, CAMSHAFT	1		0.35MM
100	13621-1665-0	SHIM, CAMSHAFT	1		0.40MM
100	13621-1666-0	SHIM, CAMSHAFT	1		0.45MM
100	13621-1667-0	SHIM, CAMSHAFT	1		0.50MM
100	13621-1668-0	SHIM, CAMSHAFT	1		0.55MM
110	05712-00535	KEY, FEATHER	1		
120	13621-8421-0	WASHER, PULLEY HOLDER	1		
130	01123-50820	BOLT	1		



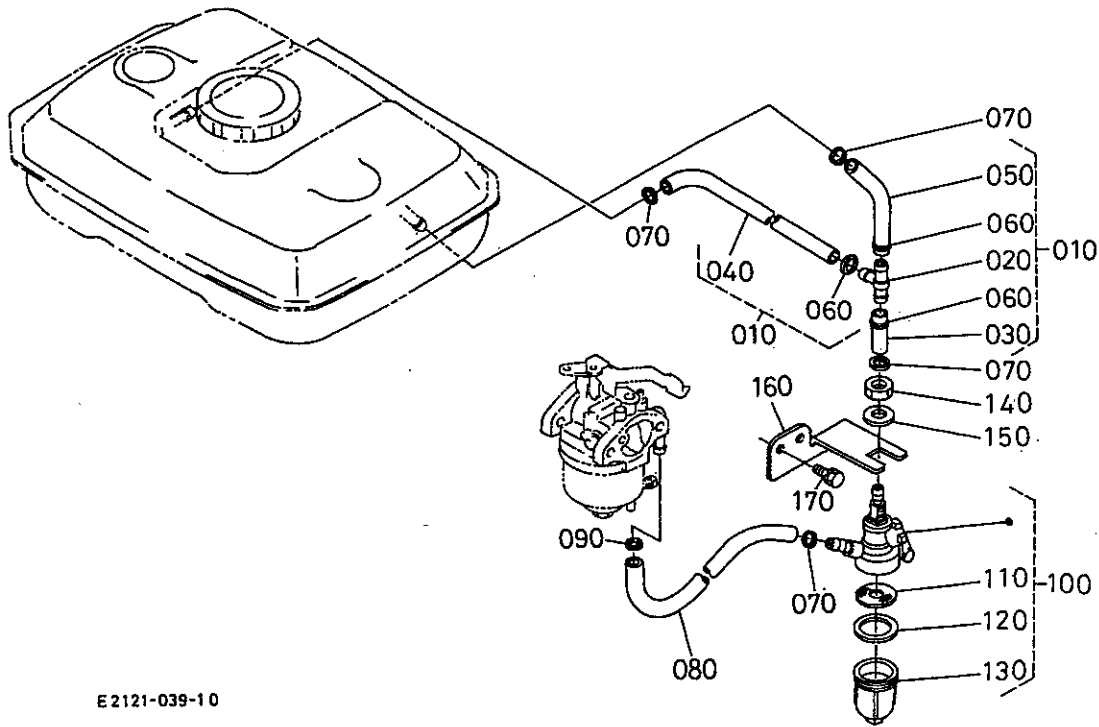
A:GH130-GCL-Y2-CHI-EC

REF.No.	PART No.	PART NAME	Q' TY/S. No.	I. C.	REMARKS
			A		
010	E2111-2111-0	PISTON	1		STD
010	E2111-2192-0	PISTON	1		+0.25MM
010	E2111-2191-0	PISTON	1		+0.50MM
020	E2111-2105-0	ASSY PISTON RING	1		STD
020	E2111-2110-0	ASSY PISTON RING	1		+0.25MM
020	E2111-2109-0	ASSY PISTON RING	1		+0.50MM
030	12681-2131-0	PIN, PISTON	1		
040	13601-2133-0	CIR CLIP, INTERNAL	2		
050	E2111-2201-0	ASSY ROD, CONNECTING	1		STD
050	E2111-2205-0	ASSY ROD, CONNECTING	1		-0.25MM
050	E2111-2206-0	ASSY ROD, CONNECTING	1		-0.50MM
060	E3111-2214-0	BOLT, CONNECTING ROD	2		
070	E2111-2311-0	CRANKSHAFT	1		
080	13901-2411-0	GEAR, CRANK	1		
090	05811-00413	KEY, WOODRUFF	1		
100	08103-06204	BEARING, BALL	2		
110	09500-00025	SEAL, OIL	1		
120	13621-1672-0	SHIM, CAMSHAFT	1		0.20MM
120	13621-1663-0	SHIM, CAMSHAFT	1		0.25MM
120	13621-1664-0	SHIM, CAMSHAFT	1		0.30MM
120	13621-1662-0	SHIM, CAMSHAFT	1		0.35MM
120	13621-1665-0	SHIM, CAMSHAFT	1		0.40MM
120	13621-1666-0	SHIM, CAMSHAFT	1		0.45MM
120	13621-1667-0	SHIM, CAMSHAFT	1		0.50MM
120	13621-1668-0	SHIM, CAMSHAFT	1		0.55MM



A:GH130-GCL-Y2-CHI-EC

REF.No.	PART No.	PART NAME	Q' TY/S. No.	I. C.	REMARKS
			A		
010	12234-5529-0	COMP. GEAR, GOVERNOR	1		
020	13641-5533-3	WASHER	1		
030	13641-5534-2	WASHER	1		
040	13901-5545-0	SLEEVE, GOVERNOR	1		
050	13641-5536-3	CLIP, GOVERNOR	1		
060	E2111-5602-0	ASSY LEVER(GOVERNOR)	1		
070	01025-50630	BOLT	1		
080	12866-9201-0	NUT	1		
090	12681-5614-0	SHAFT, GOVERNOR LEVER	1		
100	05525-60500	PIN, SNAP	1		
110	04013-60060	WASHER, PLAIN	1		
120	12681-5691-0	SEAL, OIL	1		
130	E2113-5641-0	SPRING, GOVERNOR	1		
140	E2111-5635-0	ROD, GOVERNOR	1		
150	12627-5639-0	SPRING, ROD	1		

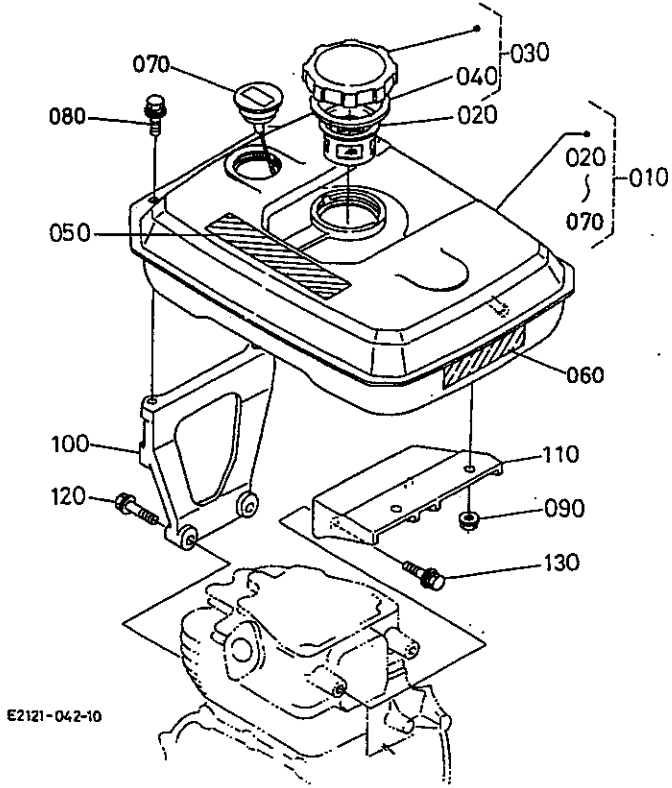


E2121-039-10

A:GH130-GCL-Y2-CHI-EC

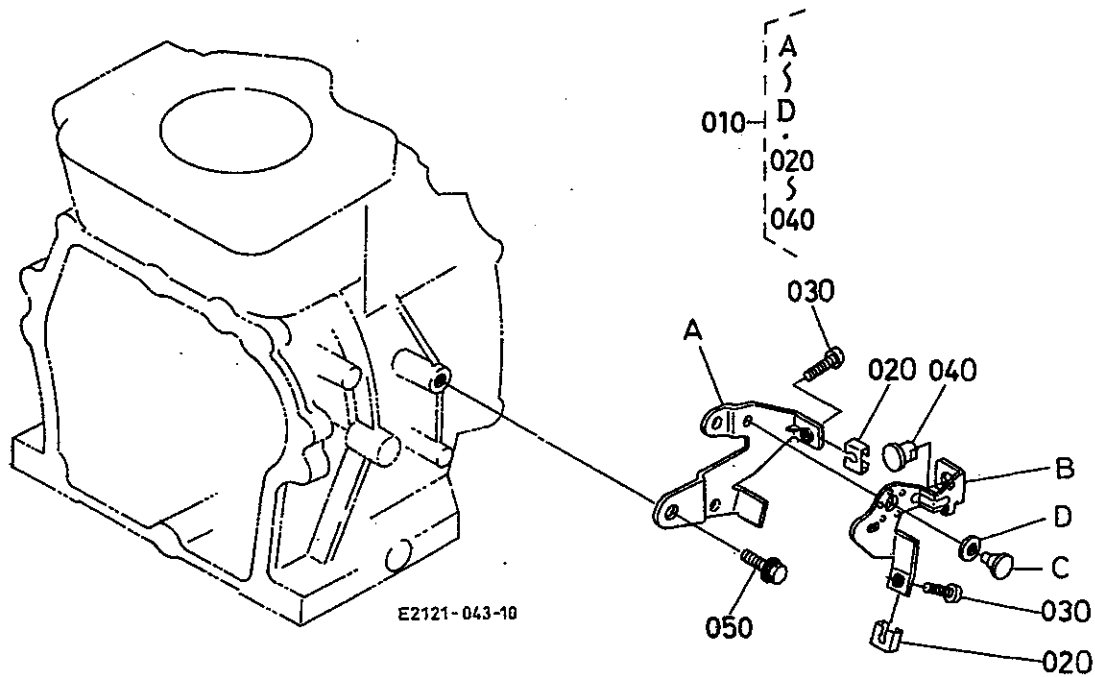
REF.No.	PART No.	PART NAME	Q' TY/S. No.	I. C.	REMARKS
			A		
010	E2121-4230-0	ASSY JOINT, T TYPE	1		
020	12673-4236-0	JOINT, T TYPE	1		
030	09661-60035	TUBE, FUEL	1		Φ 6×Φ 10×35L
040	09661-60380	TUBE, FUEL	1		Φ 6×Φ 10×380L
050	09661-60130	TUBE, FUEL	1		Φ 6×Φ 10×130L
060	E2111-4237-0	CLAMP, HOSE	3		
070	E2111-4237-0	CLAMP, HOSE	4		
080	09661-60120	TUBE, FUEL	1		Φ 6×Φ 10×120L
090	12901-4237-0	CLAMP, HOSE	1		
100	12366-4301-0	ASSY FILTER, FUEL	1		
110	12866-4316-0	ELEMENT, FILTER	1		
120	12866-4314-0	GASKET	1		
130	12454-4313-0	POT, FILTER	1		
140	02172-50120	NUT	1		
150	04013-60120	WASHER, PLAIN	1		
160	E2121-4347-0	HOLDER, FUEL FILTER	1		
170	01202-50612	BOLT	2		





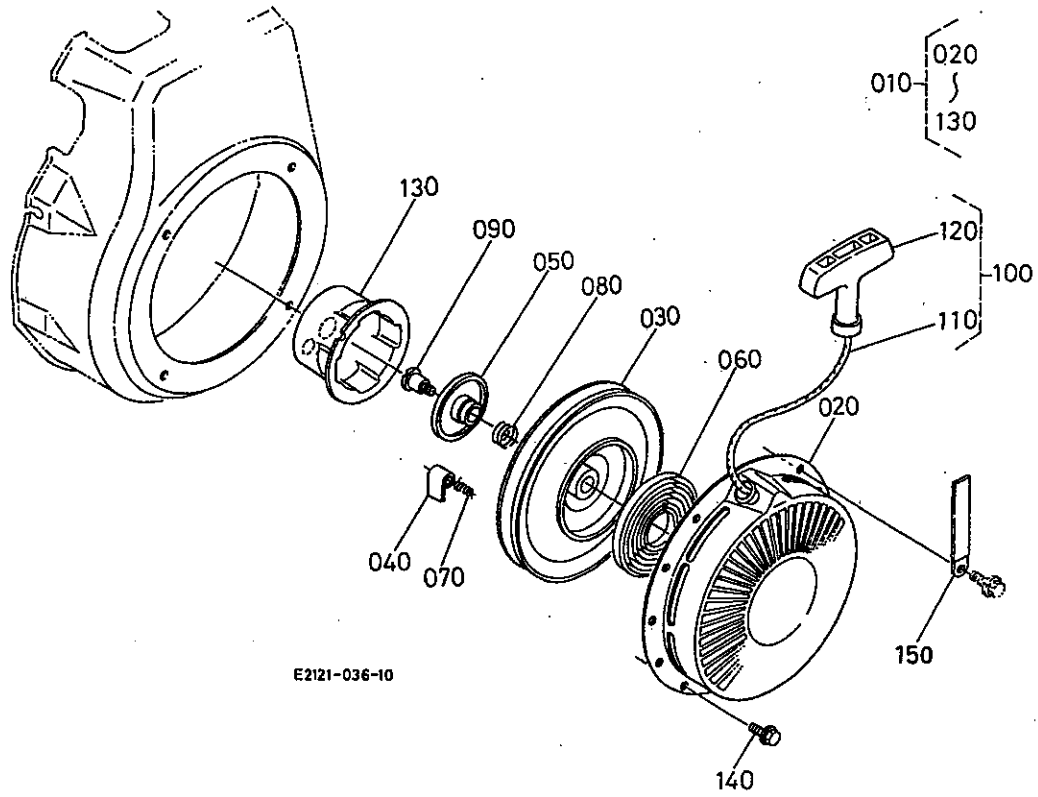
A:GH130-GCL-Y2-CHI-EC

REF.No.	PART No.	PART NAME	Q' TY/S. No.	I. C.	REMARKS
			A		
010	E2121-4101-0	ASSY TANK, FUEL	1		
020	12641-4137-0	FILTER, FUEL	1		
030	12641-4120-0	ASSY CAP, FUEL TANK	1		
040	12641-4134-0	GASKET, TANK CAP	1		
050	12606-8721-0	LABEL (FEG)	1		
060	12606-8821-0	LABEL (FEG)	1		
070	50030-1683-0	ASSY GAUGE, F/LEVEL	1		
080	01025-50616	BOLT	2		
090	02751-50080	NUT, FLANGE	2		
100	E2111-4113-0	BRACKET, FUEL TANK	1		
110	E3131-4114-0	BRACKET, FUEL TANK	1		
120	01754-50830	BOLT, FLANGE	2		
130	01125-50825	BOLT	2		



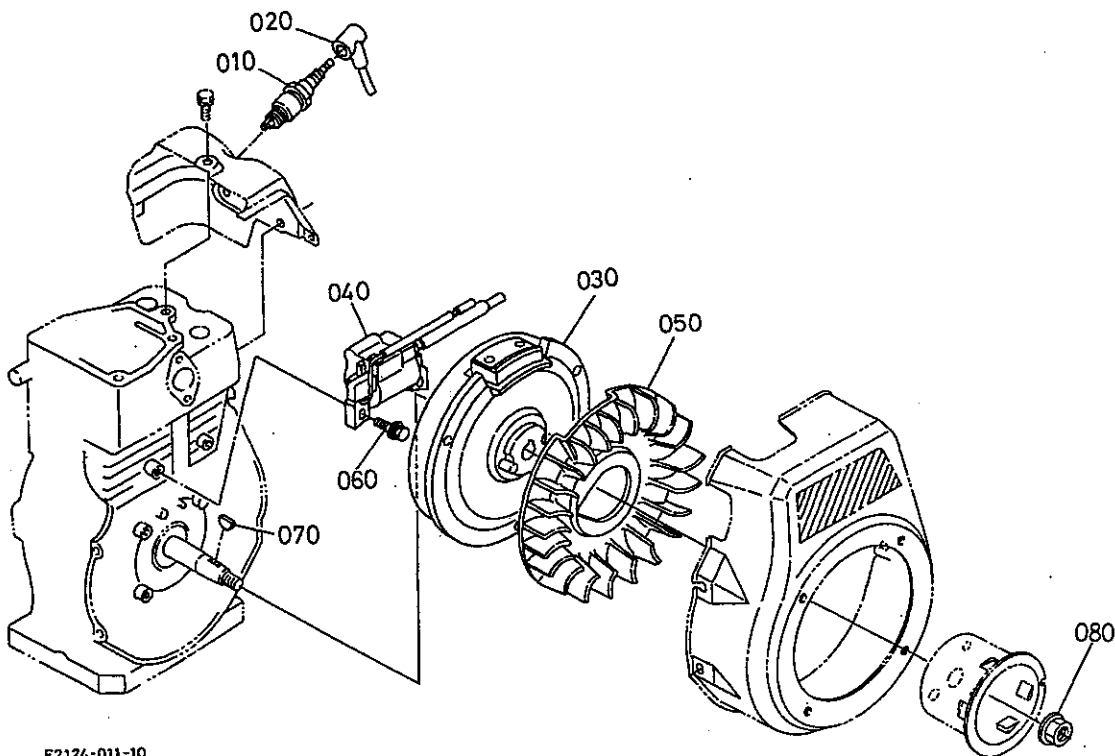
A:GH130-GCL-Y2-CHI-EC

REF.No.	PART No.	PART NAME	Q' TY/S. No.	I. C.	REMARKS
010	E2113-5700-2	COMP. LEVER, CONTROL	A		
020	12643-5719-0	SPRING, LOCK	2		
030	03054-50525	SCREW, PAN-HEAD	2		
040	12191-5746-0	STOPPER, RELEASE	1		
050	13185-9113-0	BOLT	1		



A:GH130-GCL-Y2-CHI-EC

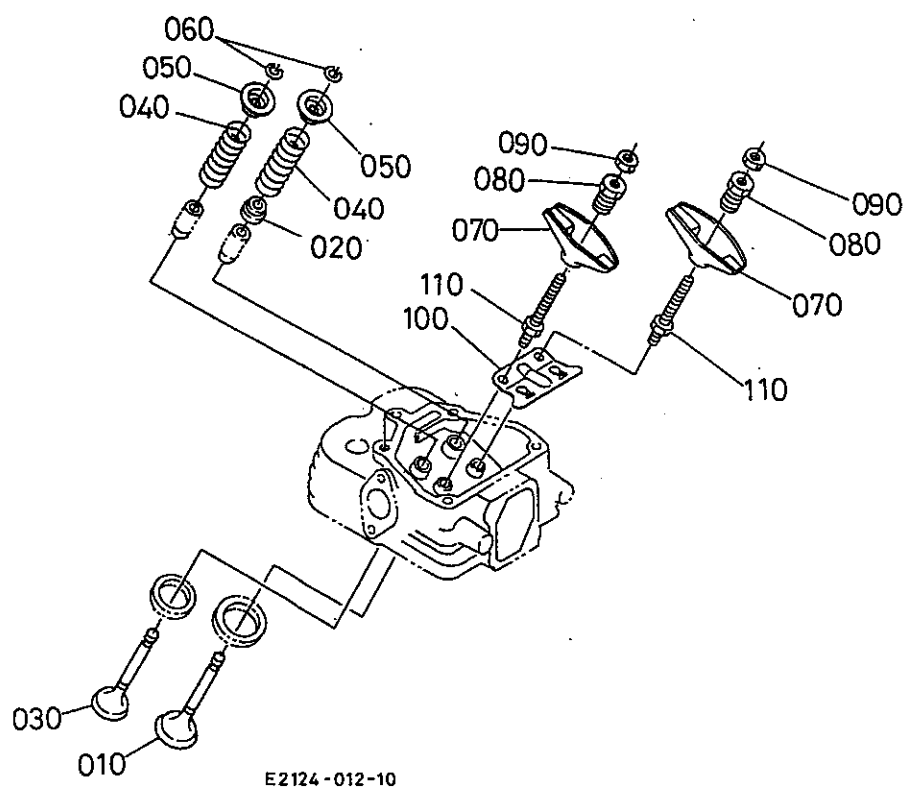
REF.No.	PART No.	PART NAME	Q' TY/S. No.	I. C.	REMARKS
010	12641-6106-2	ASSY STARTER, RECOIL	1		
020	12632-6151-0	CASE, RECOIL STARTER	1		
030	12164-6152-0	REEL	1		
040	12901-6153-0	RATCHET	2		
050	12301-6162-0	PLATE, FRICTION	1		
060	12164-6154-0	SPRING, SPIRAL	1		
070	12901-6163-0	SPRING, RATCHET	1		
080	12901-6185-0	SPRING, BRAKE	2		
090	12901-6187-0	SCREW	1		
100	12641-6109-0	ASSY ROPE, STARTER	1		
110	12901-6165-0	ROPE, STARTER	1		
120	12632-6167-0	KNOB, HANDLE	1		
130	12164-6174-2	PULLEY, START	1		
140	01754-50608	BOLT, FLANGE	4		
150	15272-6758-0	CLAMP, CORD	1		



E2124-011-10

A:GH130-GCL-Y2-CHI-EC

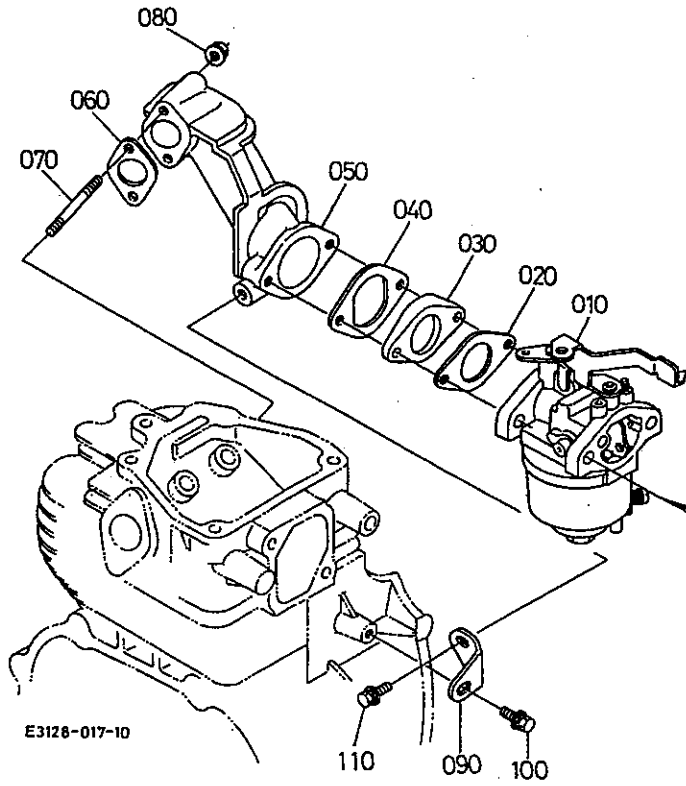
REF.No.	PART No.	PART NAME	Q' TY/S. No.	I. C.	REMARKS
			A		
010	12647-6771-0	SPARK PLUG	1		
020	12807-6772-0	CAP, SPARK PLUG	1		
030	E2111-6703-0	FLYWHEEL	1		
040	E3131-6705-0	IGNITER	1		
050	E2111-6801-0	FAN LH	1		
060	13801-9112-0	BOLT	2		
070	12121-9523-0	KEY, WOODRUFF	1		
080	12301-9292-0	NUT, FLANGE	1		



E2124-012-10

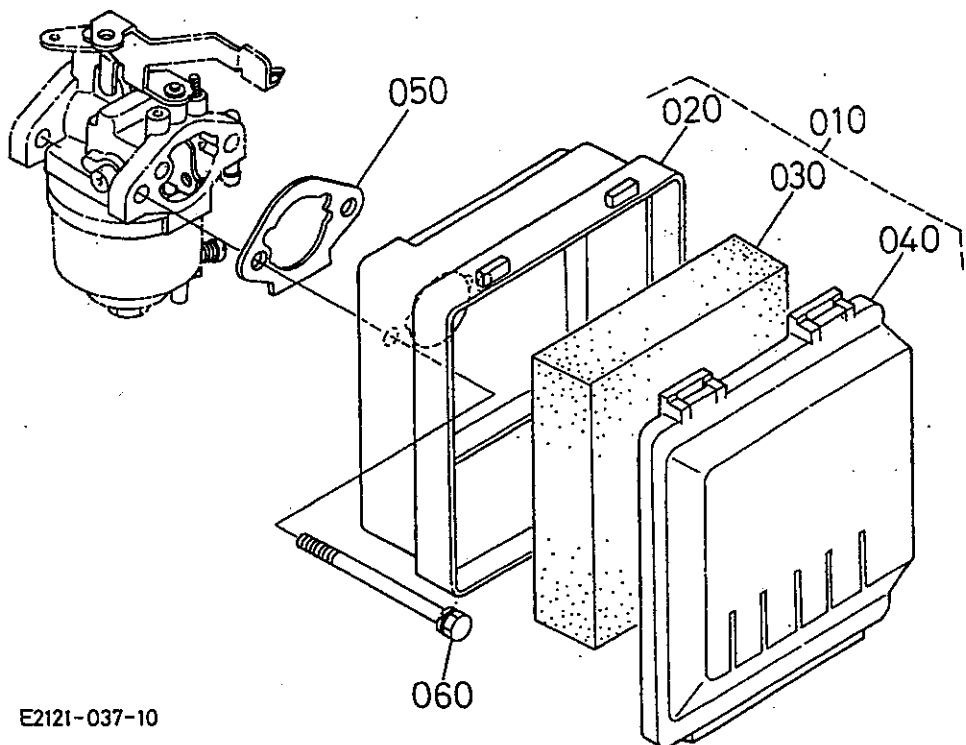
A:GH130-GCL-Y2-CHI-EC

REF.No.	PART No.	PART NAME	QTY/S. No.	I. C.	REMARKS
010	E2111-1311-2	VALVE, INTAKE	1		
020	12681-1315-0	SEAL, VALVE STEM	1		
030	12648-1312-0	VALVE, EXHAUST	1		
040	E2111-1324-0	SPRING, VALVE	2		
050	12631-1333-0	RETAINER, VALVE SP.	2		
060	12631-1336-0	COTTER	2		
070	12631-1411-0	ARM, ROCKER	2		
080	12631-1423-0	NUT, ADJUSTING	2		
090	12631-1424-0	NUT	2		
100	12643-1514-0	GUIDE, PUSH ROD	1		
110	12631-9101-2	BOLT	2		



A:GH130-GCL-Y2-CHI-EC

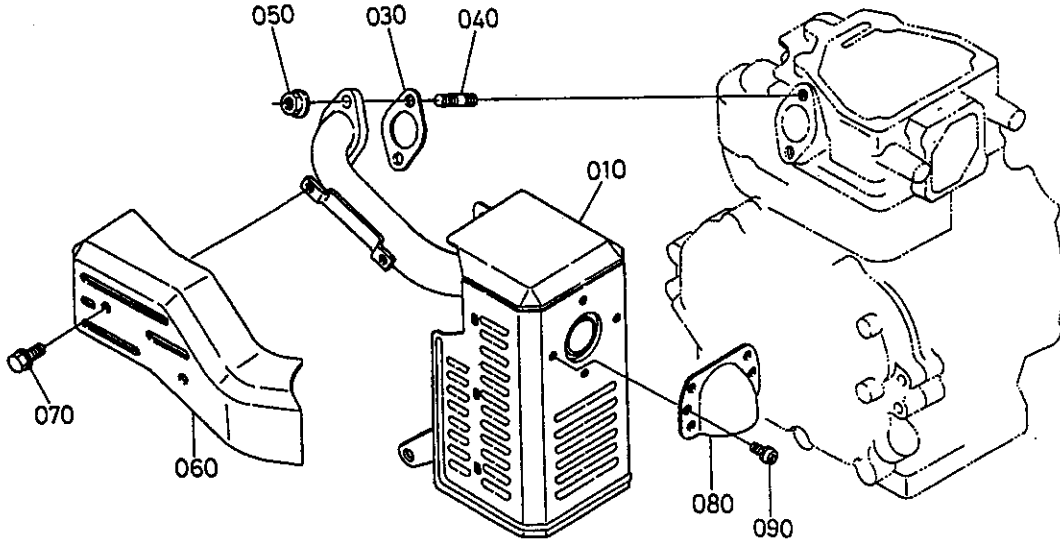
REF.No.	PART No.	PART NAME	Q' TY/S. No.	I. C.	REMARKS
			A		
010	E2121-4403-2	ASSY CARBURETTOR	1		
020	E2111-4611-0	GASKET, CARBURETTOR	1		
030	12653-4615-0	INSULATOR	1		
040	E3131-4616-0	GASKET, INSULATOR	1		
050	12643-1181-2	ELBOW, INTAKE	1		
060	E3131-1182-0	GASKET	1		
070	12643-9151-0	STUD	2		
080	02751-50060	NUT, FLANGE	2		
090	12643-1179-0	STAY, INTAKE ELBOW	1		
100	13901-9102-0	BOLT	1		
110	01025-50614	BOLT	1		



E2121-037-10

A:GH130-GCL-Y2-CHI-EC

REF.No.	PART No.	PART NAME	Q'TY/S.No.	I. C.	REMARKS
010	E2121-1101-0	ASSY CLEANER, AIR	1		
020	E2111-1115-0	COMP BODY	1		
030	12301-1121-0	ELEMENT	1		
040	E2121-1116-0	COVER, AIR CLEANER	1		
050	E2111-1151-0	GASKET, AIR CLEANER	1		
060	01023-50680	BOLT	2		

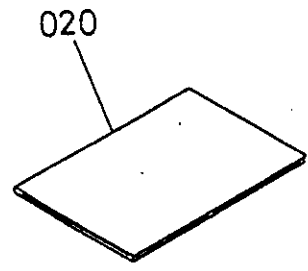
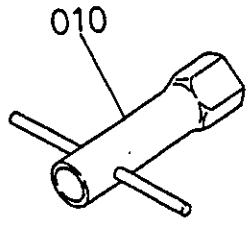


E2121-007-10

A:GH130-GCL-Y2-CHI-EC

REF.No.	PART No.	PART NAME	Q' TY/S. No.	I. C.	REMARKS
			A		
010	E2111-1212-0	COMP. MUFFLER	1		
020	----	BLANK	-		
030	12647-1223-0	GASKET, MUFFLER	1		
040	12101-9152-0	STUD	2		
050	02751-50060	NUT, FLANGE	2		
060	E2111-1272-0	COVER, MUFFLER FLANGE	1		
070	01754-50608	BOLT, FLANGE	2		
080	E3127-1265-0	COVER, MUFFLER	1		
090	12641-9371-0	SCREW, TAPPING	2		





E2121-018-20



A:GH130-GCL-Y2-CHI-EC

REF.No.	PART No.	PART NAME	Q' TY/S.No.	I. C.	REMARKS
			A		
010	12645-9121-0	ASSY BOX, PLUG	1		
020	E2151-8911-0	MANUAL, INSTRUCTION	1		
030	12606-9351-0	BOLT	1		