

Robin Engine

PARTS CATALOG

MODEL

EX400

SPEC.NO

EX400DS7051

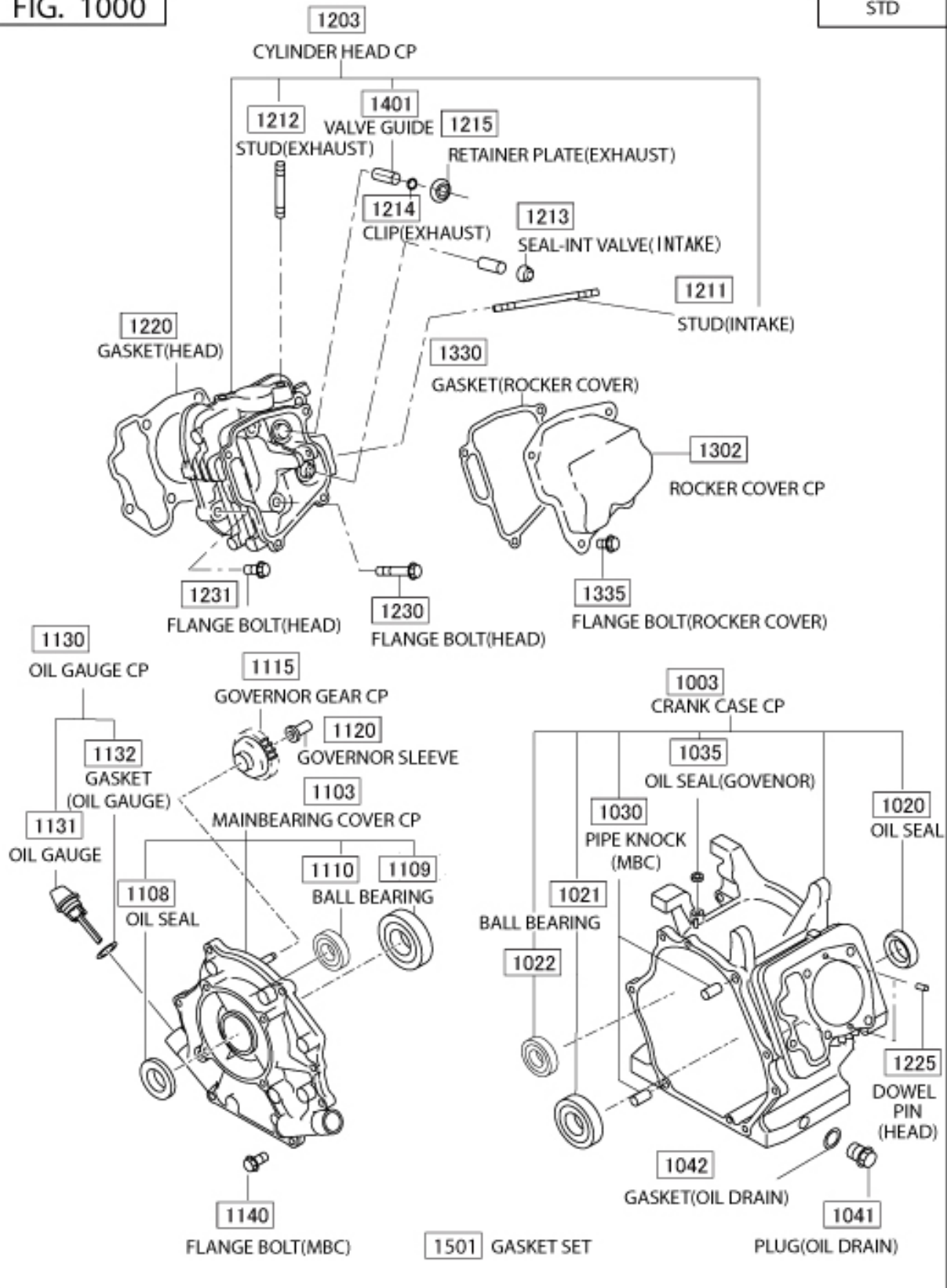
ご注文の際は部品番号の前に**ZR**をご記入下さい。

富士重工業株式会社
FUJI HEAVY INDUSTRIES LTD.

CRANK CASE GROUP (10**, 11**, 12**, 13**)

FIG. 1000

STD



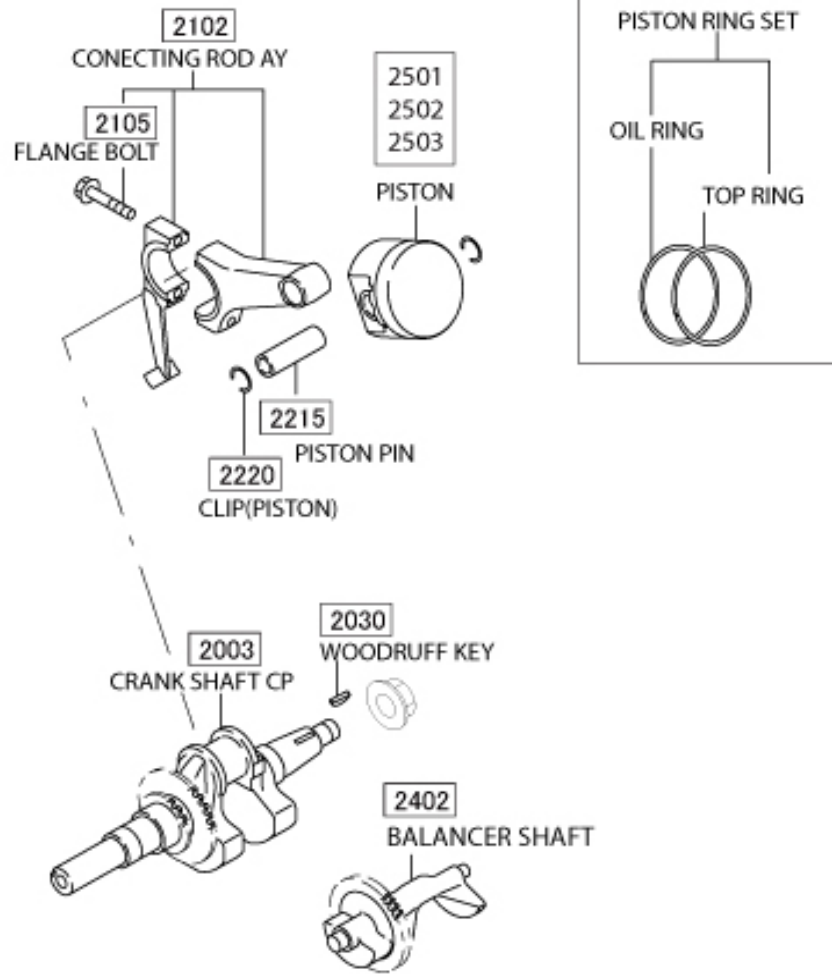
10 CRANK CASE GR

REF.	PART NUMBER	PART NAME	CODE NO.	QTY	REMARKS	INTERCHANGE	
1003	20B-10101-21	CRANK CASE CP	-	1	STD		
1020	044-03500-90	OIL SEAL	-	1			
1021	060-03502-40	BALL BEARING	-	1	35DX72DX17B		
1022	X60-01500-11	BALL BEARING	-	1	15DX35DX11B		
1030	277-15011-03	PIPE KNOCK	-	2	MBC		
1035	044-00800-10	OIL SEAL	-	1	7.4DX14DX4B GOVERNOR		
1041	040-11400-30	PLUG	-	3	14D X 12L OIL DRAIN		
1042	021-11400-20	GASKET	-	3	T=0.4 OIL DRAIN		
1103	20B-11007-01	MAINBEARING COVER CP	-	1	PTO DRAIN		
1108	044-03500-90	OIL SEAL	-	1			
1109	060-03502-40	BALL BEARING	-	1	35DX72DX17B		
1110	X60-01500-11	BALL BEARING	-	1	15DX35DX11B		
1115	20B-45003-01	GOVERNOR GEAR CP	-	1			
1120	277-41901-03	GOVERNOR SLEEVE	-	1			
1130	279-63601-30	OIL GAUGE CP	-	2			
1131	279-63601-23	OIL GAUGE	-	1			
1132	021-32000-50	GASKET	-	1	20DX27DX1.5T OILGAUG		
1140	011-00803-40	FLANGE BOLT	-	8	M8X1.25X38L MBC		
1203	20B-13001-01	CYLINDER HEAD CP	-	1	STD		
1211	010-50603-51	STUD	-	2	6DX98LX20S INTAKE		
1212	010-50802-90	STUD	-	2	EXHAUST		
1213	132-07AA0-50	SEAL-INT VALVE	-	1	INTAKE		
1214	056-51000-50	CLIP	-	1	EXHAUST		
1215	263-35341-03	RETAINER PLATE	-	1	T=0.5 EXHAUST		
1220	20B-15001-03	GASKET(HEAD)	-	1	T=0.2		
1225	031-00600-10	DOWEL PIN	-	2	6DX14.8L HEAD		
1230	011-01000-40	FLANGE BOLT	-	4	M10X1.25X75L HEAD		
1231	001-04083-50	FLANGE BOLT	-	2	HEAD		
1302	20B-15501-01	ROCKER COVER CP	-	1	OHC		
1330	20B-16001-03	GASKET(ROCKER COVER)	-	1	T=0.5		
1335	011-00600-20	FLANGE BOLT	-	4	M6X1.0X12L R-COV.		
1401	20B-14201-03	VALVE GUIDE(O/S)	-	2			
1501	20B-99001-07	EX40.GASKET SET	-	1			

CRANK SHAFT PISTON GROUP (20**, 21**, 22**, 24**)

FIG. 2000

STD



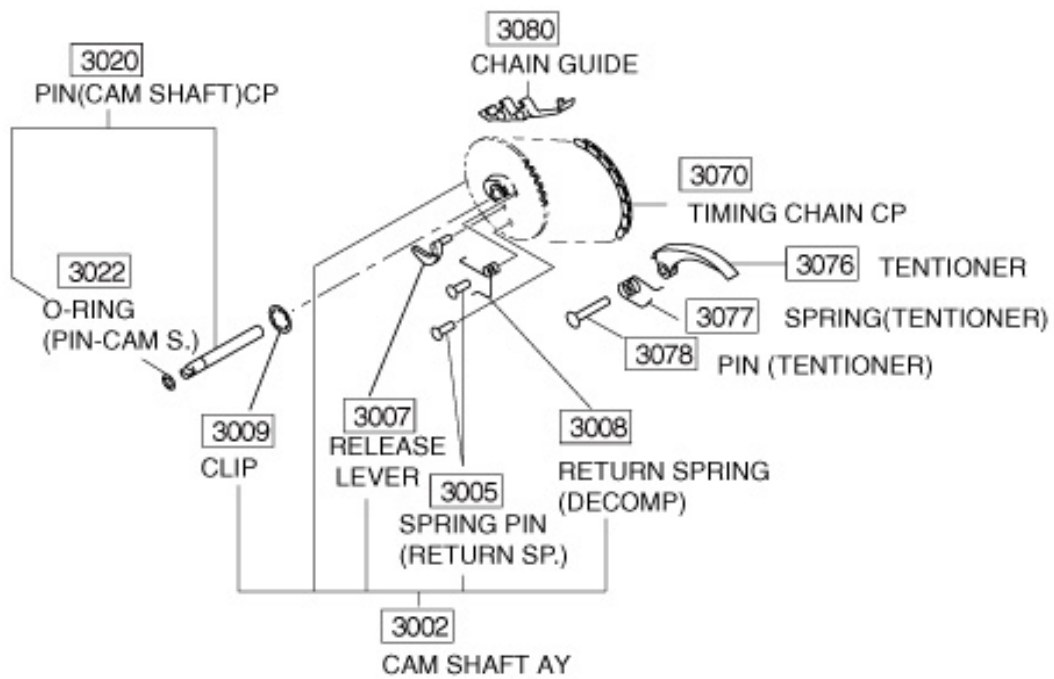
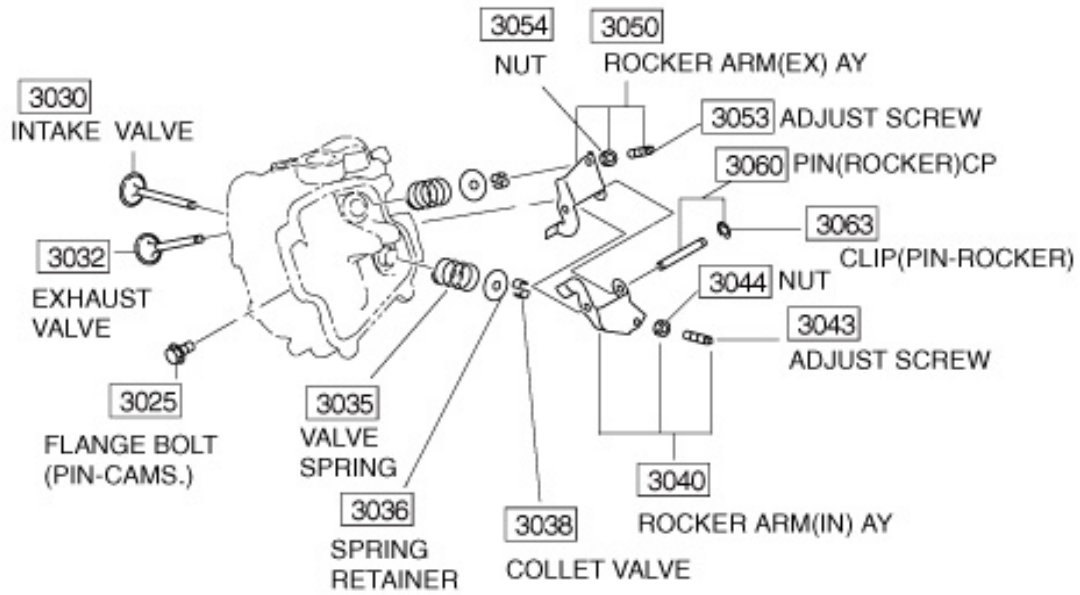
20 CRANK SHAFT PISTON GR

REF.	PART NUMBER	PART NAME	CODE NO.	QTY	REMARKS	INTERCHANGE	
2003	20B-20201-11	CRANK SHAFT CP	-	1	STD		
2030	005-32054-01	WOODRUFF KEY	-	1			
2102	20B-22501-00	CONNECTING ROD AY	-	1	STD		
2105	001-05084-00	FLANGE BOLT	-	2			
2215	263-23301-33	PISTON PIN	-	1	21DX15DX64.2L		
2220	056-52100-20	CLIP	-	2	T=1.4 PISTON		
2402	20B-24101-03	BALANCER SHAFT	-	1			
2501	20B-23401-H3	PISTON	-	1	STD		
2502	20B-23403-H3	PISTON	-	1	0.25 O.S.		
2503	20B-23404-H3	PISTON	-	1	0.50 O.S.		
2601	20B-23501-07	PISTON RING SET	-	1	STD		
2602	20B-23502-07	PISTON RING SET	-	1	0.25 O.S.		
2603	20B-23503-07	PISTON RING SET	-	1	0.50 O.S.		

INTAKE EXHAUST GROUP (30**)

FIG. 3000

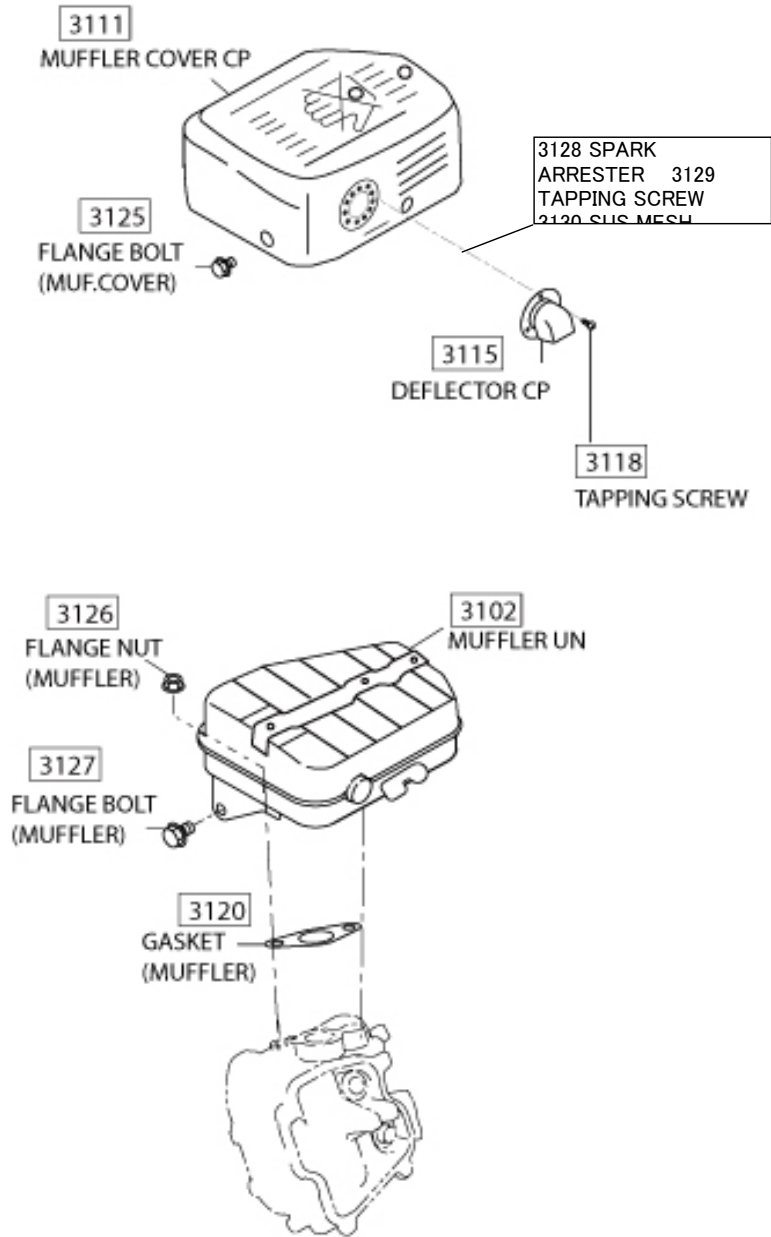
STD



INTAKE EXHAUST GROUP (31**)

FIG. 3101

WITH DEFLECTOR



30 INTAKE EXHAUST GR1

REF.	PART NUMBER	PART NAME	CODE NO.	QTY	REMARKS	INTERCHANGE	
3002	20B-31601-10	CAMSHAFT AY	-	1	STD		
3005	005-19041-00	SPRING PIN	-	2	RETURN SP.		
3007	277-36401-03	RELEASE LEVER	-	1			
3008	277-38702-03	RETURN SPRING	-	1	D=0.55 DECOMP		
3009	20B-36501-03	CLIP	-	1			
3020	20B-35101-11	PIN(CAMSHAFT)CP	-	1			
3022	024-00700-20	O-RING	-	1	PIN(CAM S.)		
3025	011-00600-10	FLANGE BOLT	-	1	M6X1.0X8L PIN-CAM		
3030	20B-33401-H3	INTAKE VALVE	-	1			
3032	20B-33501-H3	EXHAUST VALVE	-	1			
3035	246-33611-03	VALVE SPRING	-	2	D=2.9		
3036	246-33711-13	SPRING RETAINER	-	2			
3038	246-35501-03	COLLET-VALVE	-	4			
3040	20B-36101-00	ROCKER ARM(IN) AY	-	1			
3043	014-90500-20	ADJUST SCREW	-	1	M5X0.5T2		
3044	017-00500-30	NUT	-	1	M5X0.5T2		
3050	20B-36102-10	ROCKER ARM(EX) AY	-	1			
3053	014-90500-20	ADJUST SCREW	-	1	M5X0.5T2		
3054	017-00500-30	NUT	-	1	M5X0.5T2		
3060	20B-35001-01	PIN(ROCKER)CP	-	1			
3063	003-13060-00	CLIP	-	1	PIN(ROCKER)		
3070	20B-35601-H1	TIMING CHAIN CP	-	1	112LINK		
3076	277-36911-03	TENTIONER	-	1			
3077	277-37101-03	SPRING(TENTIONER)	-	1			
3078	277-36902-03	PIN(TENTIONER)	-	1			
3080	277-36913-13	CHAIN GUIDE	-	1	CHAIN		

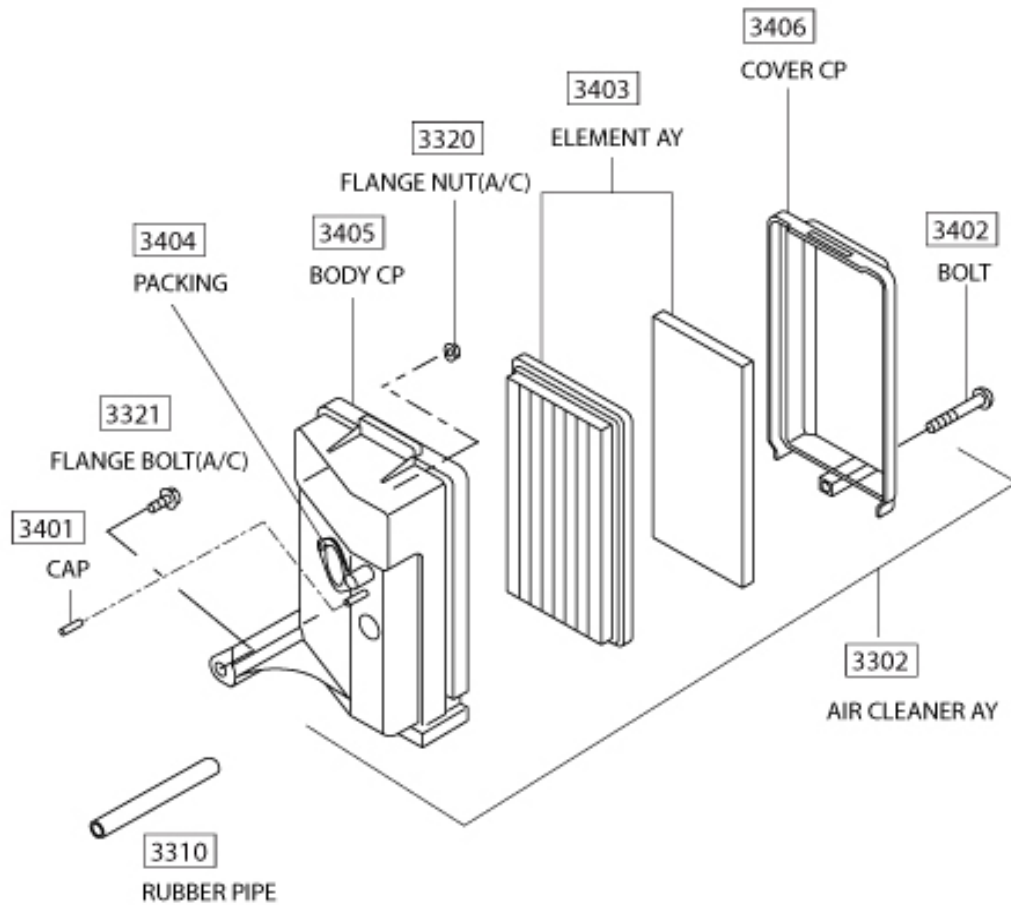
31 INTAKE EXHAUST GR2

REF.	PART NUMBER	PART NAME	CODE NO.	QTY	REMARKS	INTERCHANGE	
3102	20B-30111-J2	MUFFLER UN	-	1			
3111	20B-34201-11	MUFFLER COVER CP	-	1			
3115	20B-37002-11	DEFLECTOR CP	-	1			
3118	015-00400-60	TAPPING SCREW	-	3	D4XL6		
3120	20B-35201-03	GASKET(MUFFLER)	-	1	T=0.2		
3125	011-00600-10	FLANGE BOLT	-	5	M6X1.0,L=8 MUF.COVER		
3126	002-38080-00	FLANGE NUT	-	2			
3127	011-00803-20	FLANGE BOLT	-	1	M8X1.25X12L MUFFLER		
3128	267-37602-01	SPARK ARRESTER	-	1			
3129	015-00400-60	TAPPING SCREW	-	1			
3130	267-37231-03	SUS MESH	-	1			

INTAKE EXHAUST GROUP (33**, 34**)

FIG. 3300

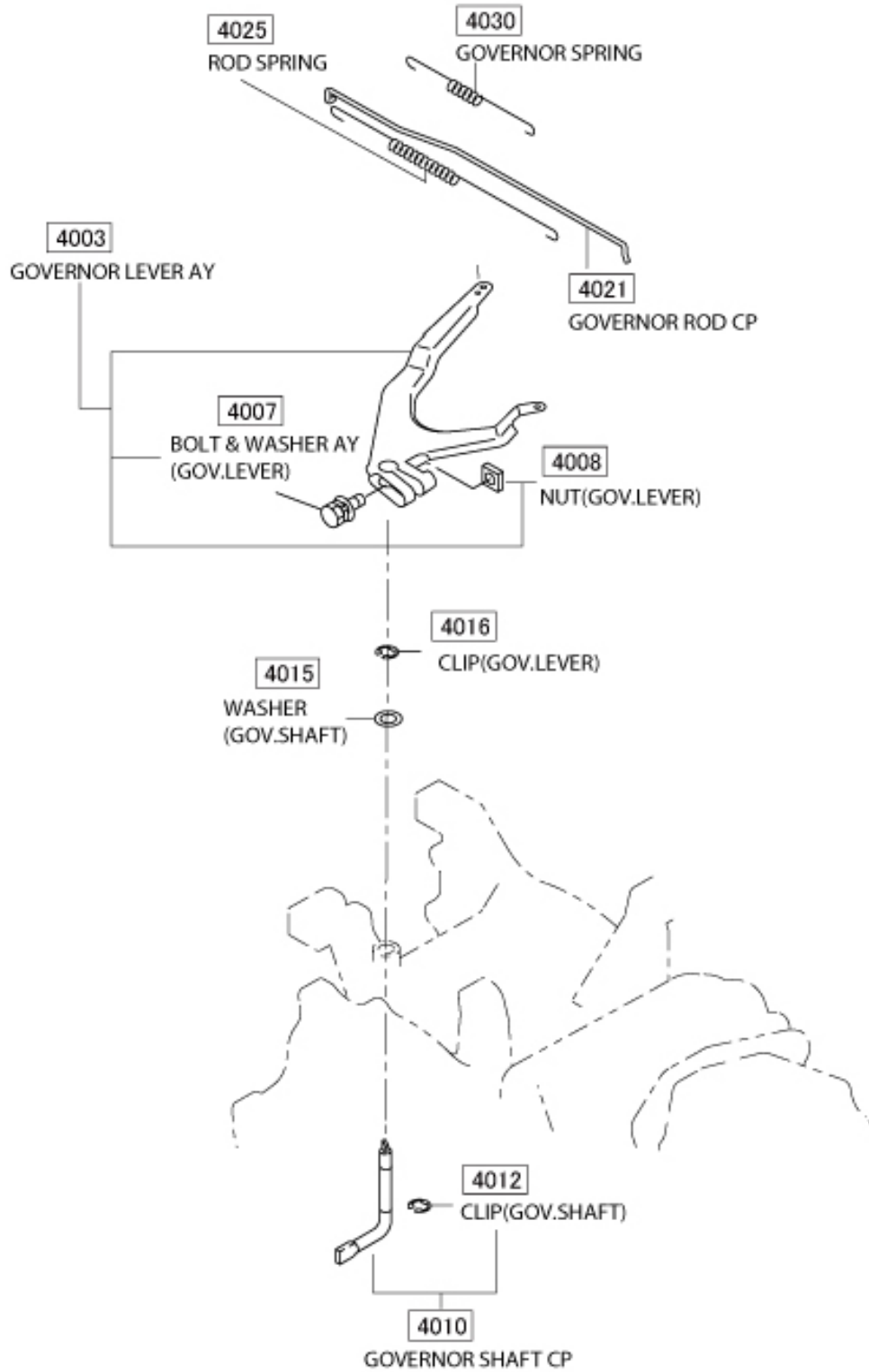
STD(DUAL)



GOVERNOR OPERATION GROUP (40**)

FIG. 4000

STD



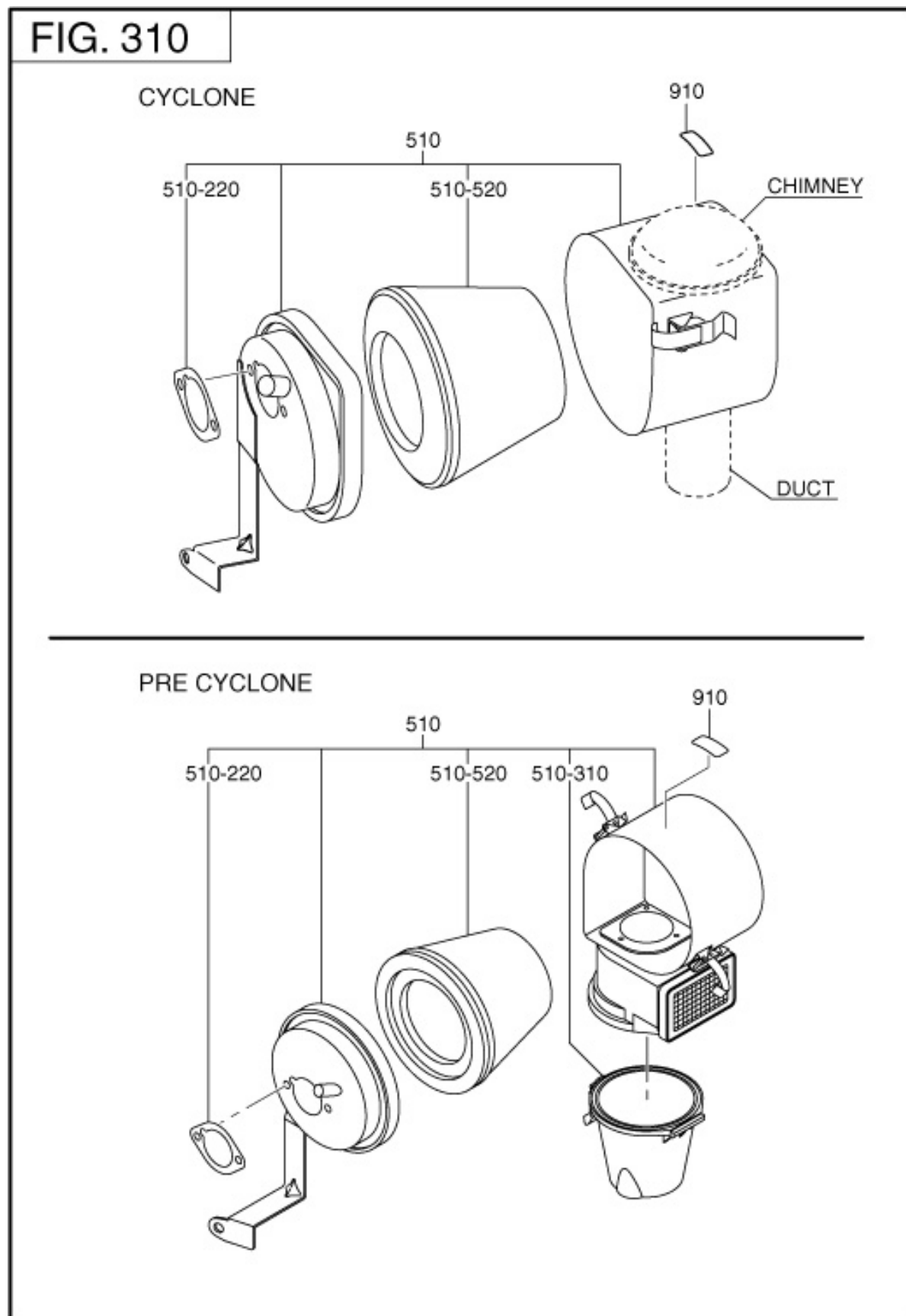
33 INTAKE EXHAUST GR3

REF.	PART NUMBER	PART NAME	CODE NO.	QTY	REMARKS	INTERCHANGE	
3302	20B-32611-H0	AIR CLEANER AY	-	1	DUAL		
3310	X85-11001-80	RUBBER PIPE	-	1	10DX15DX130L BREATHE		
3320	002-38060-00	FLANGE NUT	-	2	A/C		
3321	001-04061-60	FLANGE BOLT	-	1	A/C		
3401	20B-32850-H8	CAP	-	1			
3402	20B-32650-H8	BOLT	-	1			
3403	20B-32610-H7	ELEMENTAY	-	1			
3404	20B-32720-H8	PACKING	-	1			
3405	20B-32630-H8	BODY CP	-	1			
3406	20B-32640-H8	COVER CP	-	1			

40 GOVERNOR OPERATION GR1

REF.	PART NUMBER	PART NAME	CODE NO.	QTY	REMARKS	INTERCHANGE	
4003	20B-42301-10	GOVERNOR LEVER AY	-	1			
4007	001-14062-50	BOLT AND WASHER AY	-	1	GOV.LEVER		
4008	018-60600-20	NUT	-	1	M6 GOV.LEVER		
4010	20B-42201-01	GOVERNOR SHAFT CP	-	1			
4012	003-13060-00	CLIP	-	1	GOV.SHAFT		
4015	003-11080-00	WASHER	-	1	GOV.SHAFT		
4016	003-13060-00	CLIP	-	1	GOV.LEVER		
4021	20B-42701-13	GOVERNOR ROD CP	-	1			
4025	20B-42801-13	ROD SPRING	-	1	0.5D		
4030	20B-42501-13	GOVERNOR SPRING	-	1	1.2D 60HZ		

3 インテーク,エキゾースト

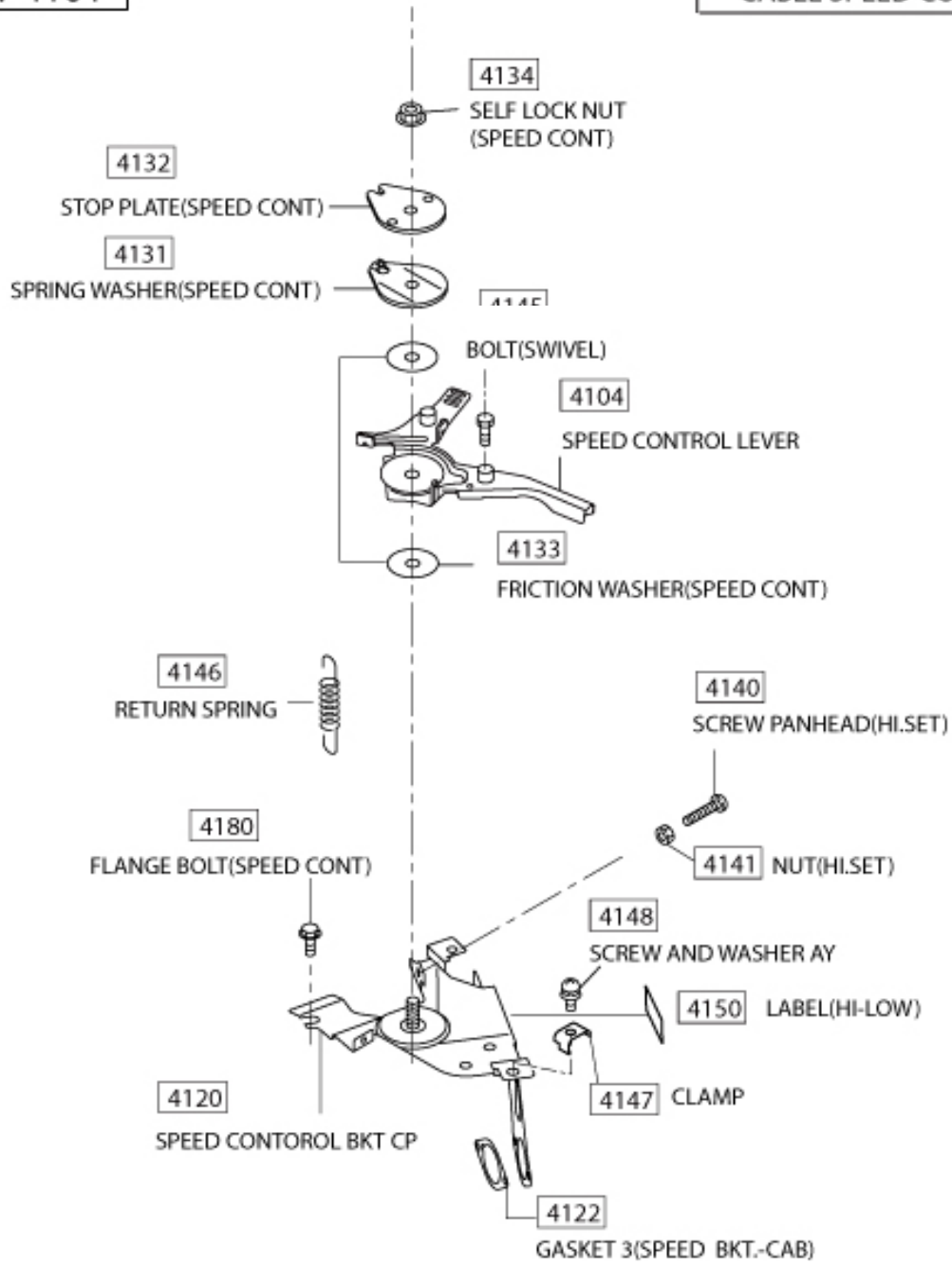


REF	部品番号	部品名称	管理番号	数量	摘要	互換部品番号
510	20B-32633-00	エアクリーナ AY	-	1		
-220	20B-36001-08	パッキング	-	1	T=0.3	
-520	267-32603-07	エレメントセット	-	1	CYCLONE	

GOVERNOR OPERATION GROUP (41**)

FIG. 4101

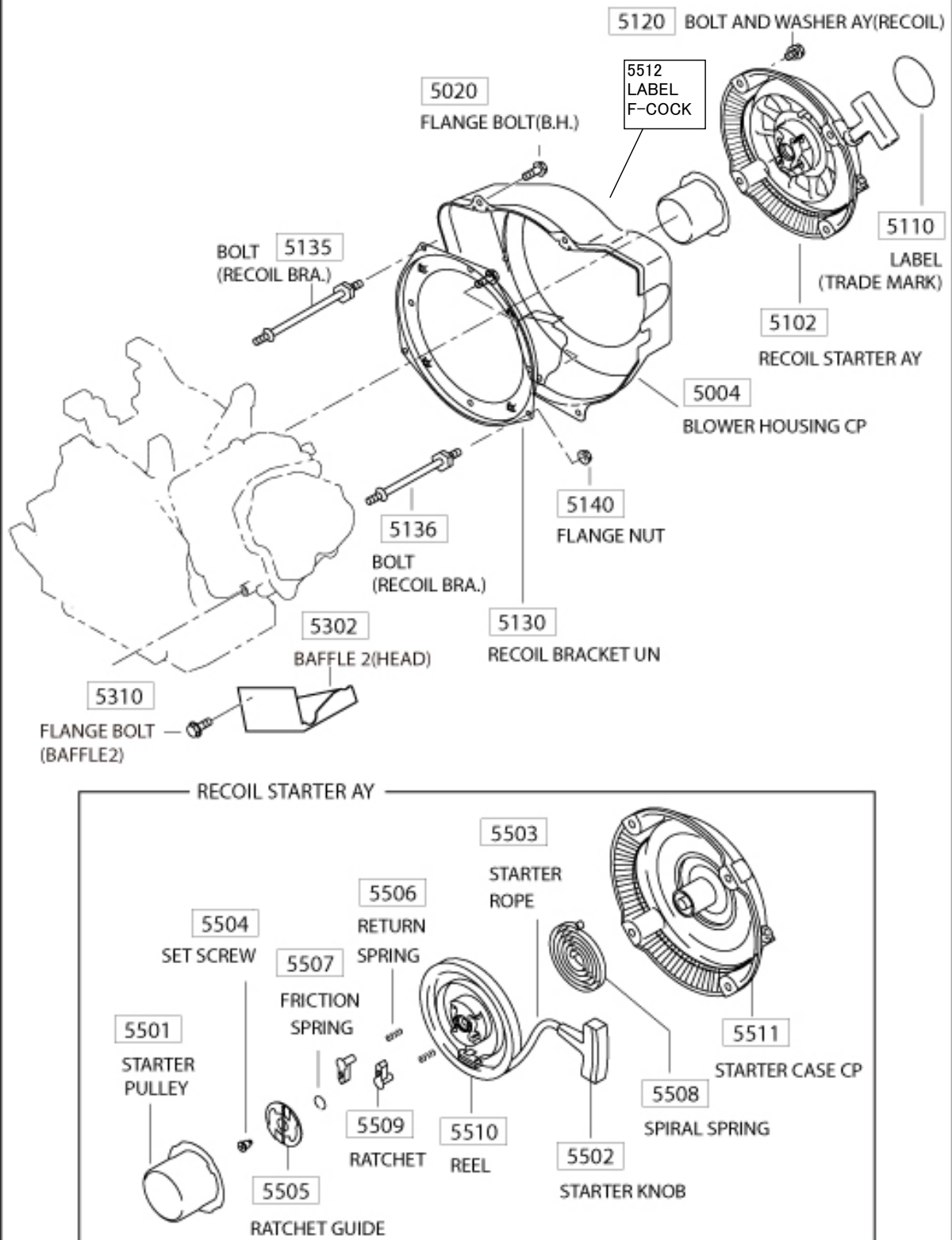
CABLE SPEED CONTROL



COOLING STARTING GROUP (50**, 51**, 53**, 55**)

FIG. 5004

ELECTRIC STARTER(WITHOUT OIL SENSOR)



41 GOVERNOR OPERATION GR2

REF.	PART NUMBER	PART NAME	CODE NO.	QTY	REMARKS	INTERCHANGE	
4104	20B-43301-01	SPEED CONT. LEVER CP	-	1	WITH SWIVEL		
4120	20B-46001-21	SPEED CONTROL BKT CP	-	1			
4122	20B-35903-13	GASKET 3	-	1	T=0.3 SPEED BRK.-CAB		
4131	227-45002-03	SPRING WASHER	-	1	T=0.4 SPEED CONT.		
4132	227-43501-13	STOP PLATE	-	1	T=1.2 STD SPEED CONT		
4133	021-70600-30	FRICTION WASHER	-	2	T=0.5[0.6 SPEED CONT		
4134	002-35060-00	SELF LOCK NUT	-	1			
4140	004-31061-80	SCREW,PANHEAD	-	1	HI.SET		
4141	002-27060-00	NUT	-	1	HI.SET		
4145	004-31040-80	SCREW	-	1			
4146	277-45103-03	RETURN SPRING	-	1	D-STD		
4147	277-43902-03	CLAMP	-	1	T=1.6		
4148	013-10500-30	SCREW AND WASHER AY	-	1	5X0.8X20CLAMP		
4150	277-96107-03	LABEL(HI-LOW)	-	1			
4180	011-00600-20	FLANGE BOLT	-	1	M6X1.0X12L SPEED CON		

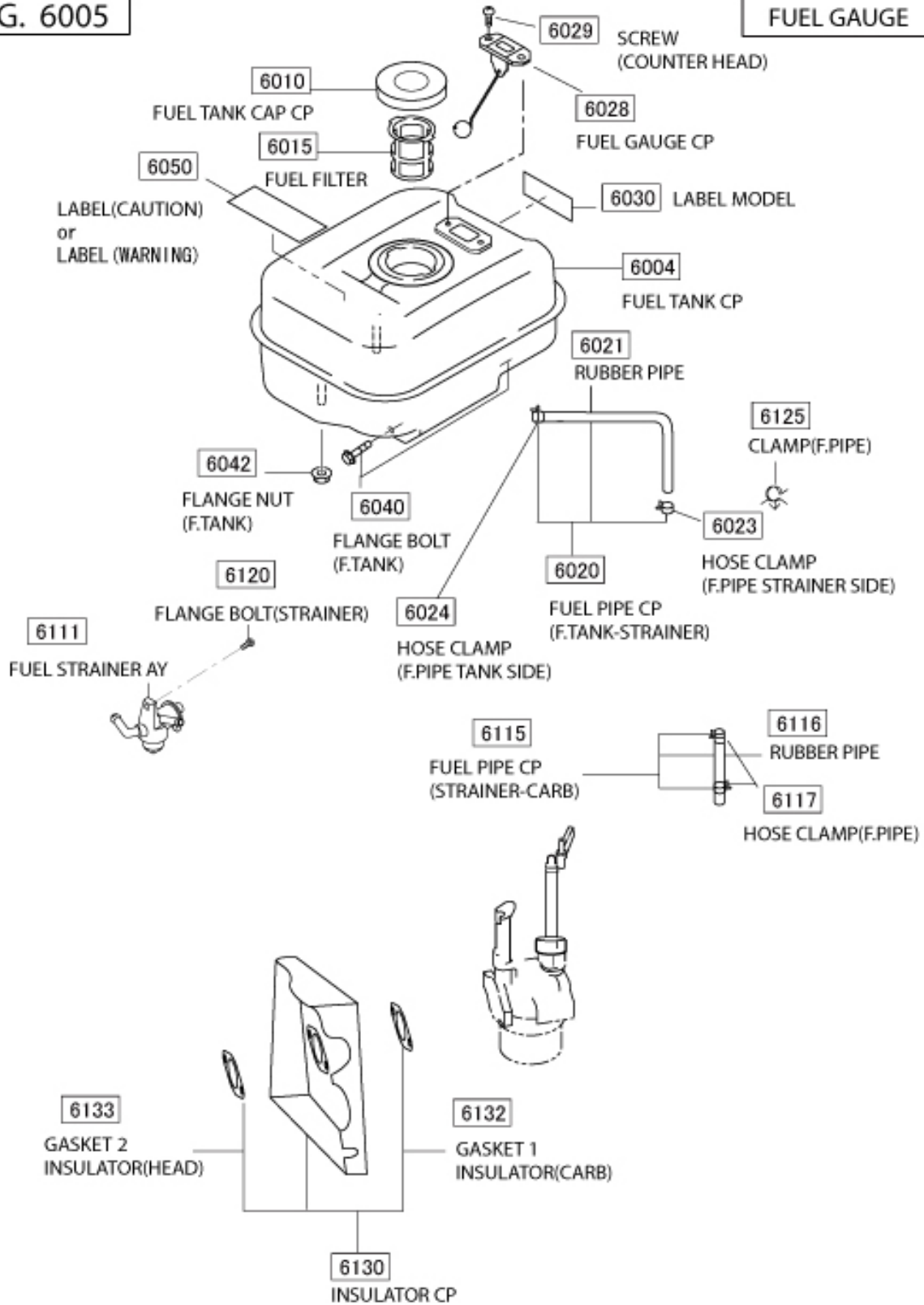
50 COORING STARTING GR

REF.	PART NUMBER	PART NAME	CODE NO.	QTY	REMARKS	INTERCHANGE	
5004	20B-51201-H1	BLOWER HOUSING CP	-	1	BLACK		
5020	001-04061-60	FLANGE BOLT	-	5	B.H.		
5102	20B-50701-20	RECOIL STARTER AY	-	1	BLACK		
5110	073-20054-70	LABEL(TRADE MARK)	-	1			
5120	013-00602-81	BOLT AND WASHER AY	-	4	M6X14L RECOIL		
5130	20B-55101-02	RECOIL BRACKET UN	-	1	T=1.2		
5135	010-00804-40	BOLT	-	2	RECOIL BRA.		
5136	010-00804-50	BOLT	-	2	RECOIL BRA.		
5140	002-38060-00	FLANGE NUT	-	4	RECOIL BRA.		
5302	20B-52702-H1	BAFFLE 2(HEAD) CP	-	1	BLACK		
5310	011-00600-20	FLANGE BOLT	-	3	M6X1.0X12L BAFFLE 2		
5501	20B-50146-08	STARTER PULLEY	-	1			
5502	261-50100-08	STARTER KONB	-	1			
5503	20B-50110-08	STARTER ROPE	-	1			
5504	20B-50101-08	SET SCREW	-	1			
5505	161-50150-08	RATCHET GUIDE	-	1			
5506	227-50135-08	RETURN SPRING	-	2			
5507	227-50131-08	FRICTION SPRING	-	1			
5508	277-50155-08	SPIRAL SPRING	-	1			
5509	161-50125-08	RATCHET	-	2			
5510	20B-50120-08	REEL	-	1			
5511	20B-50150-08	STARTER CASE	-	1			
5512	073-20050-70	LABEL(F-COCK)	-	1			

FUEL LUBRICANT GROUP (60**, 61**)

FIG. 6005

FUEL GAUGE

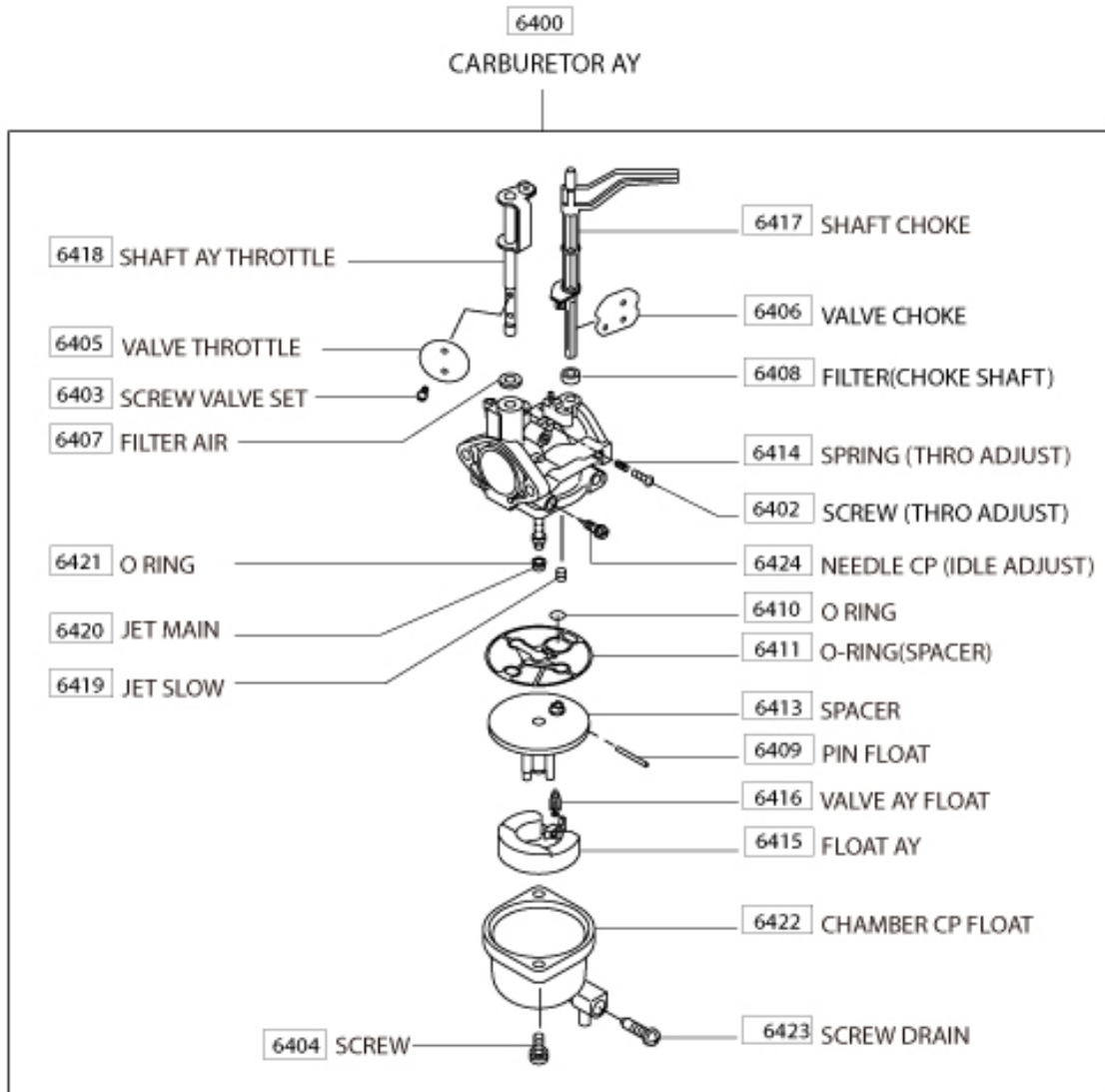


60 FUEL LUBRICANT GR

REF.	PART NUMBER	PART NAME	CODE NO.	QTY	REMARKS	INTERCHANGE	
6004	20B-60202-01	FUEL TANK CP	-	1	GAUGE		
6010	043-04300-60	FUEL TANK CAP CP	-	1			
6015	X64-13600-10	FUEL FILTER	-	1			
6020	267-62604-11	FUEL PIPE CP	-	1	6.35DX12.7DX250L T-S		
6021	X85-10614-91	RUBBER PIPE	-	1	6.35DX12.7DX250L		
6023	X56-11100-60	HOSE CLAMP	-	1	11.5D F.PIPE STRAIN		
6024	056-11200-40	HOSE CLAMP	-	1	12.0D F.PIPE TANK		
6028	064-80007-00	FUEL GAUGE CP	-	1	2286070102		
6029	014-50500-40	SCREW (COUNTER HEAD)	-	1	M5X8L		
6030	20B-95101-03	LABEL(MODEL)	-	1	EX40-14.0		
6040	011-00802-50	FLANGE BOLT	-	2	F.TANK		
6042	002-38080-00	FLANGE NUT	-	2	F.TANK		
6050	073-20057-60	LABEL(WARNING)	-	1	PL-ANZEN CHUI		
6111	X64-20122-00	FUEL STRAINER AY	-	1			
6115	20B-62601-01	FUEL PIPE CP	-	1	STRAINER-CAB		
6116	085-10620-90	RUBBER PIPE	-	1	6DX11DX90L		
6117	056-11000-30	HOSE CLAMP	-	2	10.0D F.PIPE		
6120	011-00600-10	FLANGE BOLT	-	1	M6X1.0X8L STRAINER		
6125	056-81200-10	CLAMP	-	1			
6130	20B-32901-J1	INSULATOR CP	-	1			
6132	20B-35901-H3	GASKET 1	-	1	T=0.5 INSULATOR(CAB)		
6133	20B-35902-H3	GASKET 2	-	1	T=0.5 INSULATOR HEAD		

CARBURETOR AY (64**)

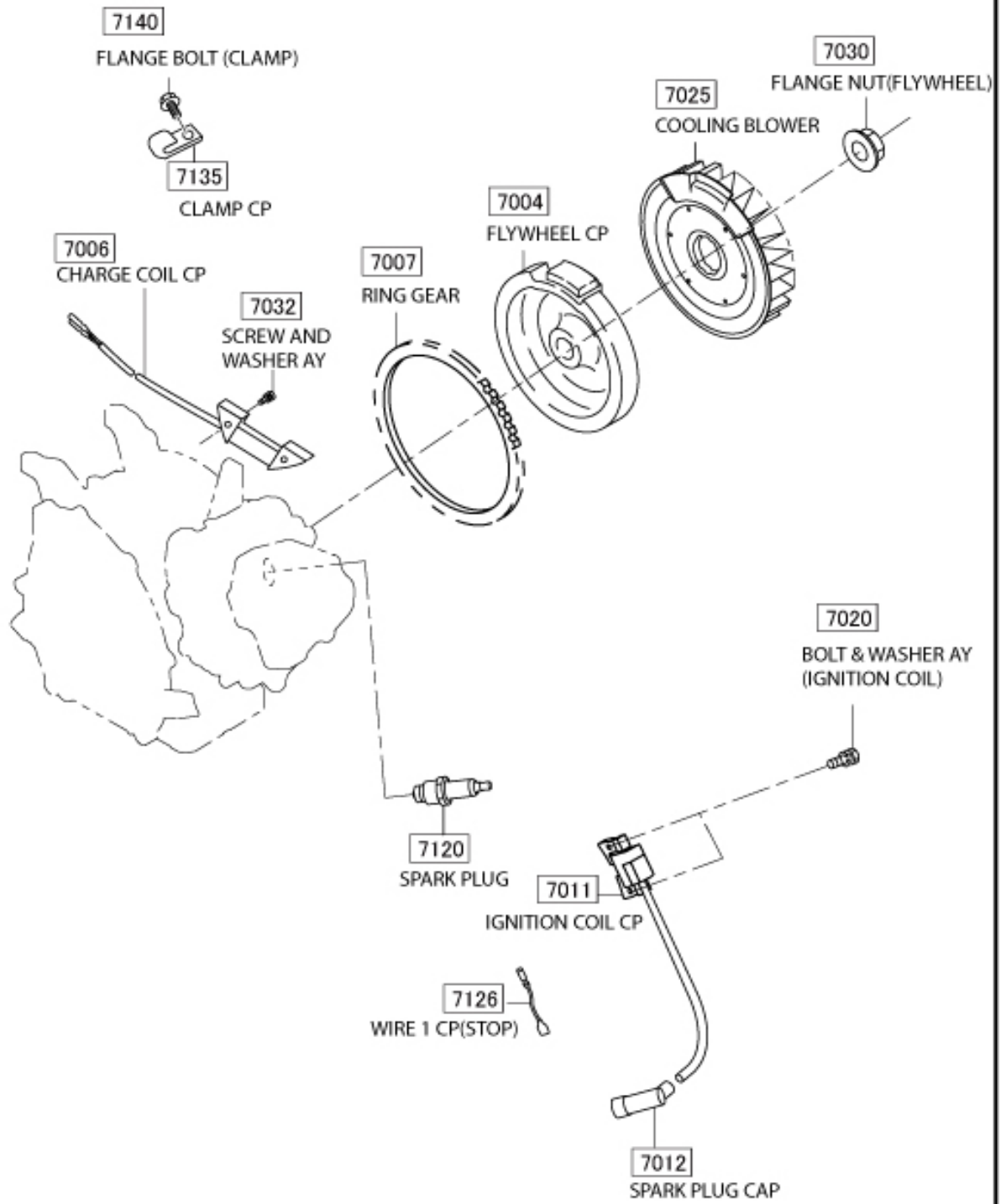
FIG. 6400



ELECTRIC DEVICE GROUP (70**, 71**)

FIG. 7001

ELECTRIC STARTER

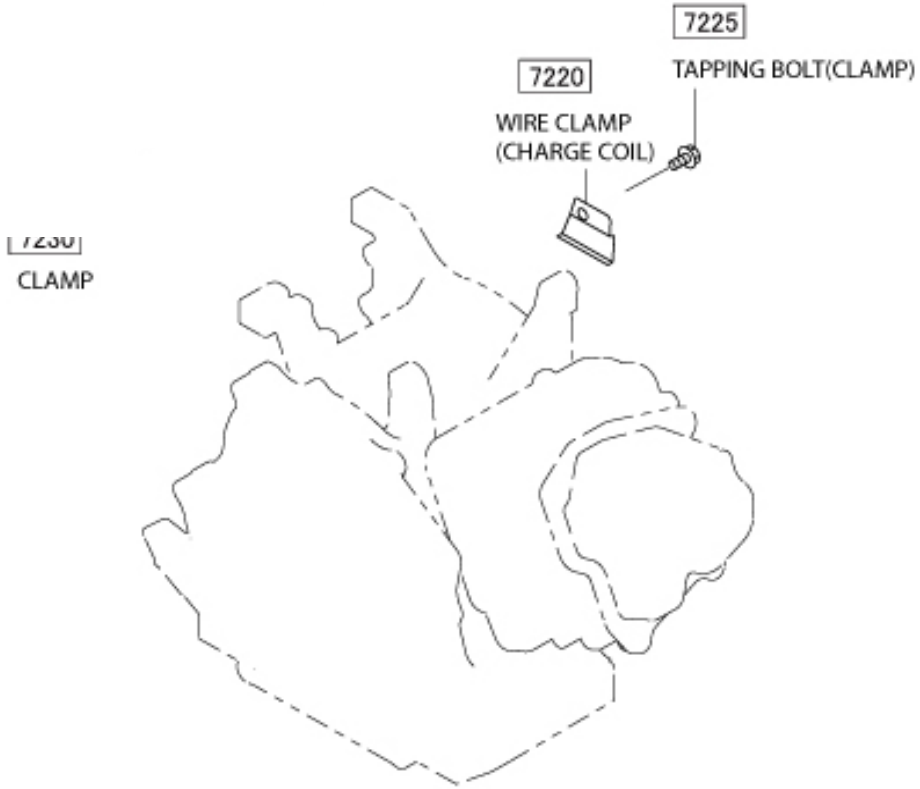


64 CARBURETOR

REF.	PART NUMBER	PART NAME	CODE NO.	QTY	REMARKS	INTERCHANGE	
6400	20B-62301-10	CARBURETOR AY	8127-	1	STD		
	20B-62301-00	CARBURETOR AY	-8126	1		20B-62301-10	
6402	20B-62353-08	SCREW,THRO.ADJUST	-	1			
6403	261-62352-08	SCREW,VALVE SET	-	1			
6404	20B-62453-08	SCREW	-	2			
6405	20B-62535-08	VALVE,THROTTLE	-	2			
6406	20B-62526-08	VALVE,CHOKE	-	1			
6407	226-62580-08	FILTER,AIR	-	1			
6408	258-62554-08	FILTER(CHOKE SHAFT)	-	1			
6409	263-62515-08	PIN,FLOAT	-	1			
6410	20B-62541-08	O RING	-	1			
6411	20B-62540-08	O-RING(SPACER)	-	1			
6413	20B-62520-08	SPACER	-	1			
6414	20B-62445-08	SPRING,THRO.ADJUST	-	1			
6415	20B-62505-08	FLOAT AY	-	1			
6416	20B-62500-08	VALVE AY FLOAT	-	1			
6417	20B-62527-18	SHAFT,CHOKE	-	1			
6418	20B-62530-08	SHAFT AY,THROTTLE	-	1			
6419	20B-62420-08	JET,SLOW	-	1			
6420	20B-62400-08	JET,MAIN (#110)	-	1			
6421	20B-62542-08	O RING	-	1			
6422	20B-62550-08	CHAMBER CP,FLOAT	-	1			
6423	20B-62354-08	SCREW,DRAIN	-	1			
6424	20B-62357-08	NEEDLE CP,IDLEADJUST	-	1			

70 ELECTRIC DEVICE

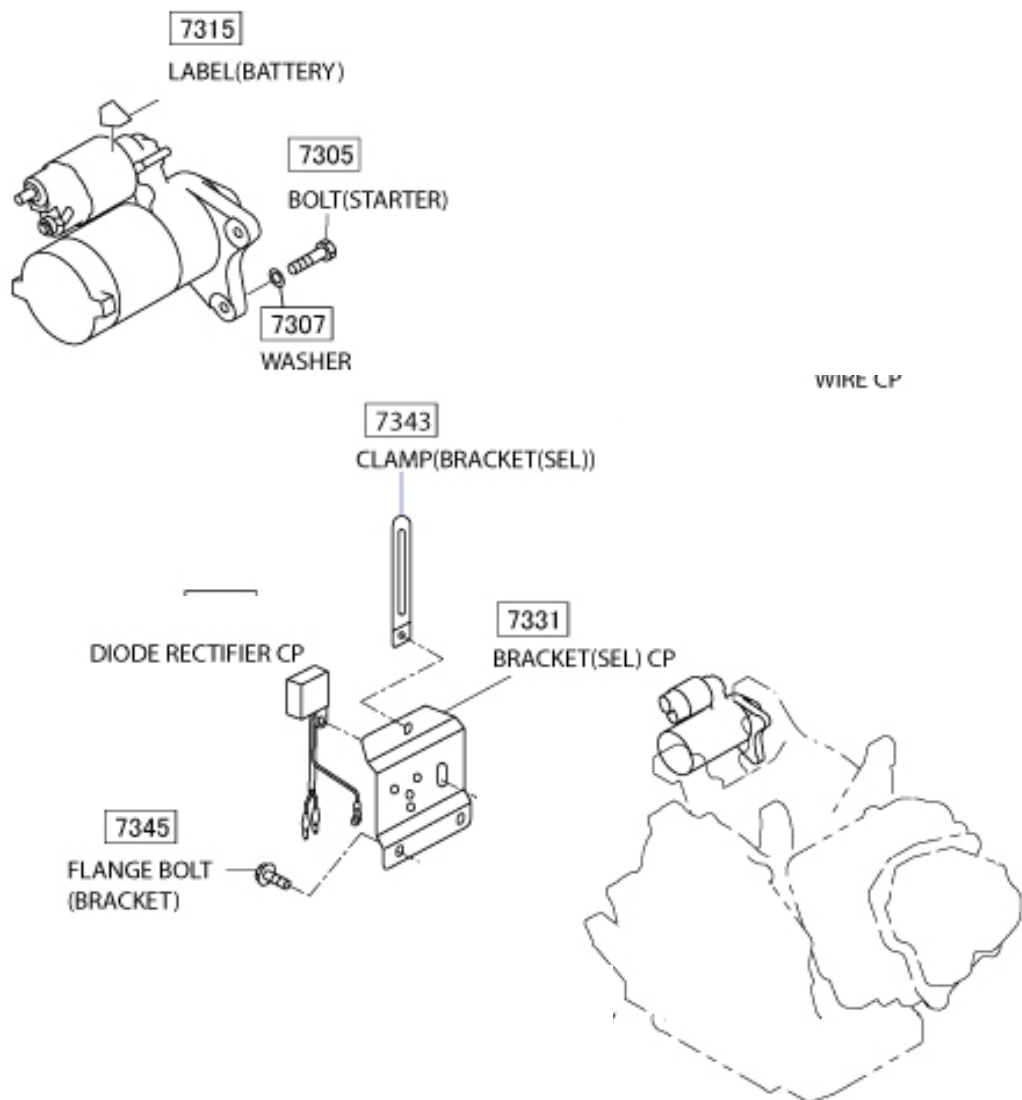
REF.	PART NUMBER	PART NAME	CODE NO.	QTY	REMARKS	INTERCHANGE	
7004	20B-79241-H1	FLYWHEEL CP	-	1			
7006	20B-79301-H1	CHARGE COIL CP	-	1			
7007	20B-71002-03	RING GEAR	-	1			
7011	20B-79430-H1	IGNITION COIL CP	-	1			
7012	065-50003-11	SPARK PLUG CAP	-	1			
7020	001-14063-00	BOLT AND WASHER AY	-	2	IGNITION COIL		
7025	20B-54101-H3	COOLING BLOWER	-	1	BLACK		
7030	018-01800-10	FLANGE NUT	-	1	FW		
7032	004-35062-00	SCREW AND WASHER AY	-	2	CHARGE COIL		
7120	065-01401-50	SPARK PLUG	-	1	BR6HS		
7126	20B-73101-01	WIRE 1 CP	-	1	STOP		
7135	214-79006-01	CLAMP CP	-	1	STOP WIRE		
7140	011-00600-10	FLANGE BOLT	-	1	M6X1.0,L=8 CLAMP		



ELECTRIC DEVICE GROUP (73**, 74**)

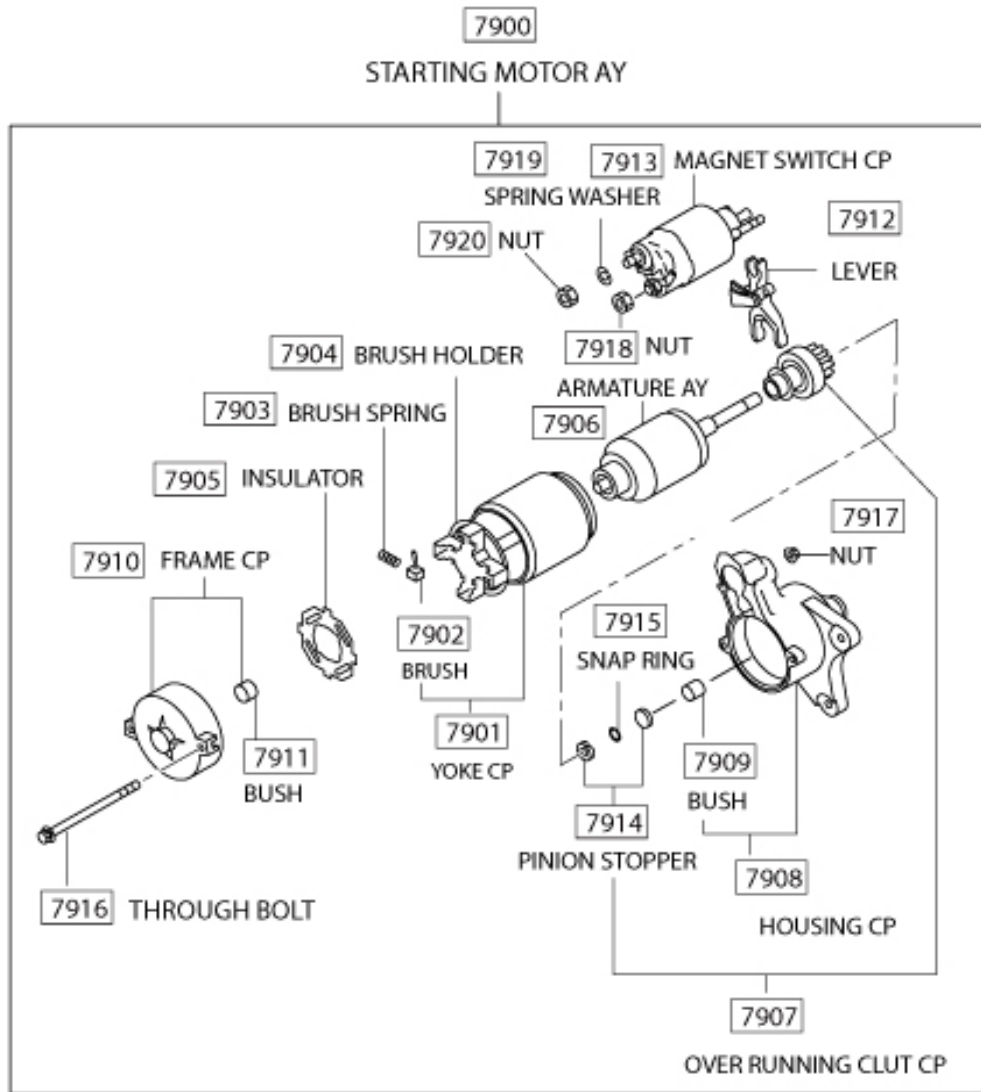
FIG. 7300

ELECTRIC STARTER
(CONTROL BOX,DIODE RECTIFIER)

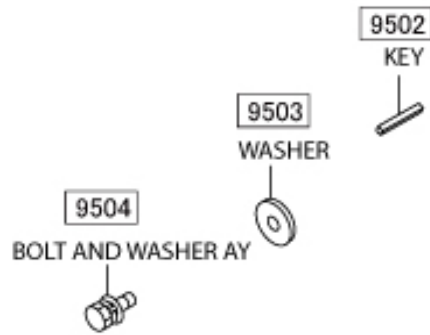


STARTING MOTOR (79**)

FIG. 7900







79 STARTING MORTOR

REF.	PART NUMBER	PART NAME	CODE NO.	QTY	REMARKS	INTERCHANGE	
7900	279-70502-00	STARTING MOTOR AY	-	1			
7901	209-70550-08	YOKE CP	-	1			
7902	209-70551-08	BRUSH	-	4			
7903	209-70545-08	BRUSH SPRING	-	4			
7904	209-70530-08	BRUSH HOLDER	-	1			
7905	209-70552-08	INSULATOR	-	1			
7906	209-70554-08	ARMATURE AY	-	1			
7907	209-70521-08	OVER RUNNING CLUT CP	-	1			
7908	279-70550-08	HOUSING CP	-	1			
7909	209-70511-08	BUSH	-	1			
7910	209-70505-18	FRAME CP	-	1			
7911	209-70510-08	BUSH	-	1			
7912	209-70525-08	LEVER	-	1			
7913	279-70515-18	MAGNET SWITCH CP	-	1			
7914	234-70555-08	PINION STOPPER	-	1			
7915	209-70557-18	SNAP RING	-	1			
7916	209-70558-08	THROUGH BOLT	-	2			
7917	949-29970-02	NUT	-	2			
7918	209-70560-08	NUT	-	1			
7919	107-70652-08	SPRING WASHER	-	1			
7920	211-70584-08	NUT	-	1			

90 ACCESSORY LABELS GR

REF.	PART NUMBER	PART NAME	CODE NO.	QTY	REMARKS	INTERCHANGE	
9003	224-90303-00	ACCESSORY TOOL KIT	-	1			

95 SHIP LOOSE PART GR

REF.	PART NUMBER	PART NAME	CODE NO.	QTY	REMARKS	INTERCHANGE	
9502	005-30073-51	KEY	-	1	P.T.O.		
9503	020-01002-20	WASHER	-	1	10.5DX40DX6T P.T.O.		
9504	001-13102-00	BOLT AND WASHER AY	-	1	P.T.O.		