
Warranty and After-Sales Service

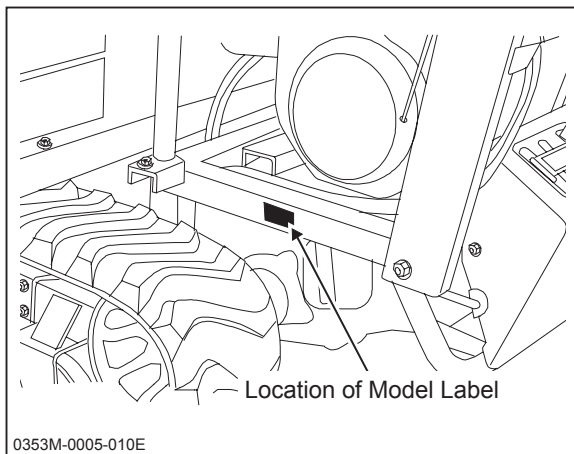
Warranty

CHIKUSUI CANYCOM, INC. provides a warranty through your local CANYCOM dealer. A copy of this warranty is attached to the back of this manual.

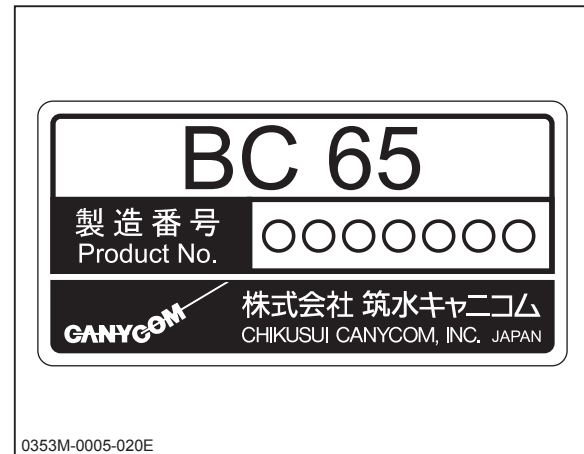
After-Sales Service

Consult your local CANYCOM dealer or our company's sales department regarding service orders or any questions or problems that may arise when using this machine. Please make sure to have the product name, serial number, and the model and serial number of engine handy at the time of contact. The model and serial number can be found on the model label as shown below, and the model and serial number of engine can be found in Chapter 3 "Specifications" of this manual (Page 24).

Location of Model Label



Model Label



Availability of Spare Parts

The replacement or repair parts for this product shall remain available for seven years after the production of this type of machine is discontinued.
